

# PA35 | ACCU-STEER POWER ASSIST STEERING



## Putting you in control.....*Fingertip control.*

Utilizing solid state control, the Accu-Steer PA35 power assist steering system is built to navigate the roughest seas with ease of control. There is no function on your boat more critical than steering and the PA35 makes steering safe, reliable and effortless.

With safety in mind, the Accu-Steer PA35 is designed to seamlessly revert to manual steering in the event of a power failure, ensuring that you always remain in control.

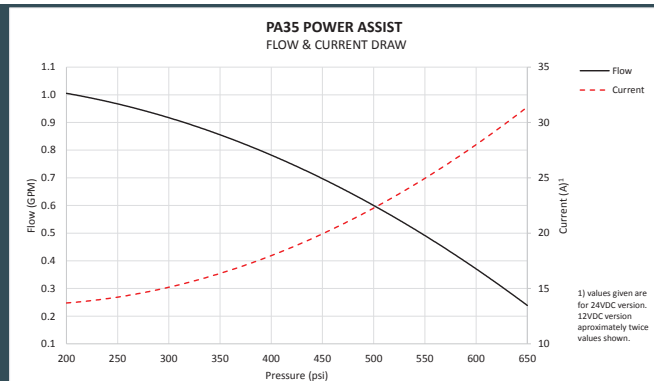
The Accu-Steer PA35 is suitable for either inboard or outboard applications, with steering cylinders up to the Kobelt 7065 series, and can accommodate multiple input devices.

## Key Benefits

- Fingertip steering to reduce operator fatigue
- Designed for durability and reliability
- Easy to install to upgrade an existing steering system (OEM or retrofit)
- Added safety of automatically returning to manual mode in the event of a power loss
- Accommodates multiple input devices (helm, jog and autopilot)
- 12V or 24V options available

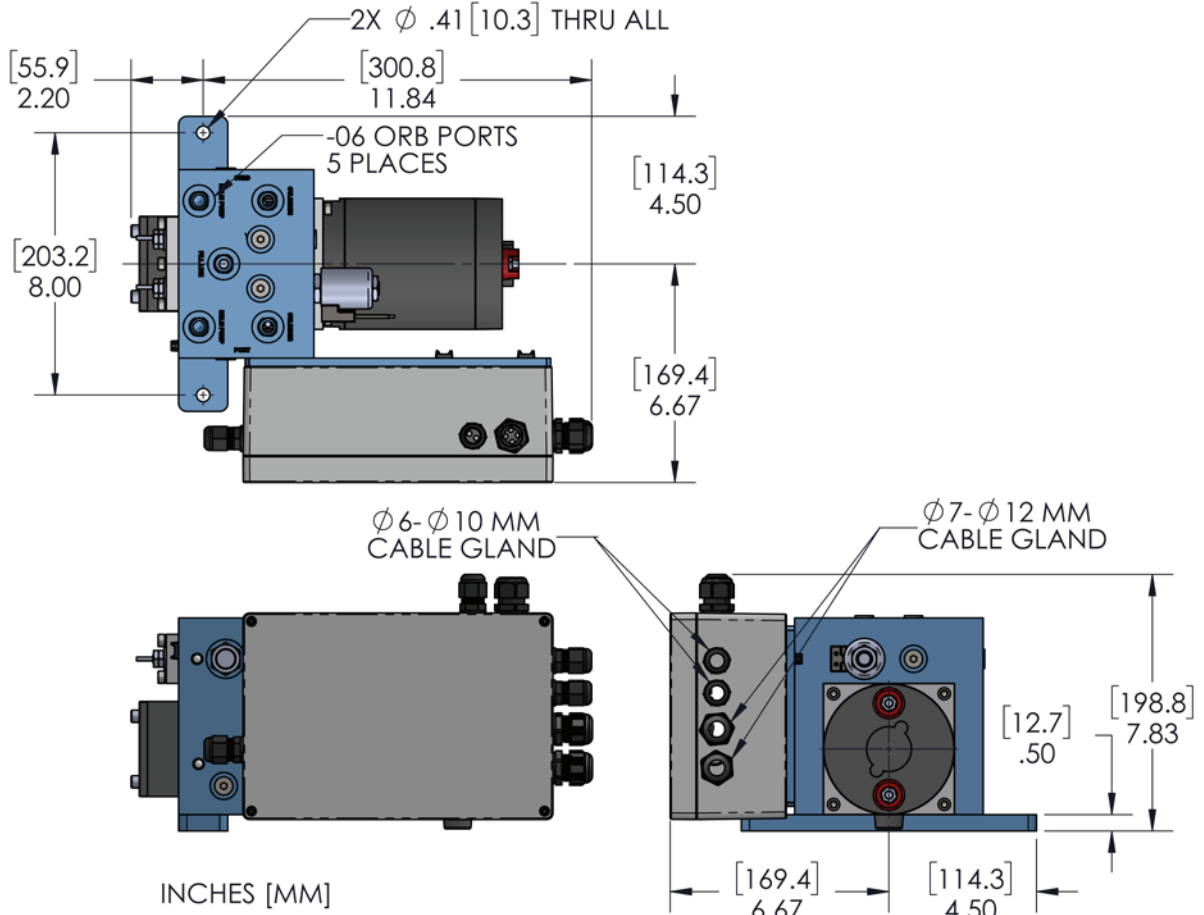
## SPECIFICATIONS:

Maximum Pressure:	600 psi [41.3 bar]
Nominal Flow:	3.5 in <sup>3</sup> /sec [57 cc/sec]
Service Duty:	Intermittent - 20% ON / 80% OFF
Noise Emmission:	75 dB (at max pressure)
Ambient Temperature:	14°F ...122°F [-10°C ...50°C]
Weight:	30 lbs [13.6 kg]

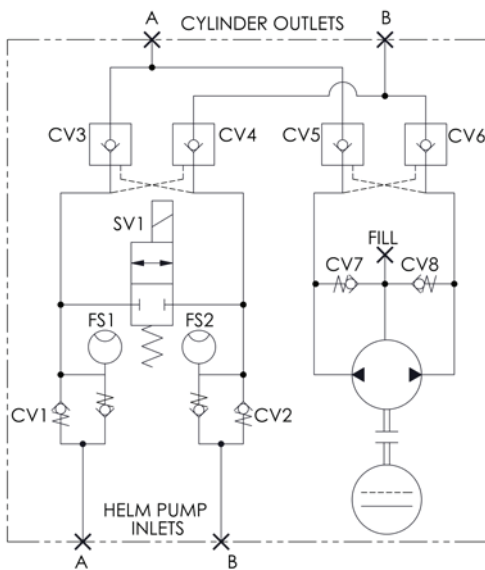


# PA35 | ACCU-STEER POWER ASSIST STEERING

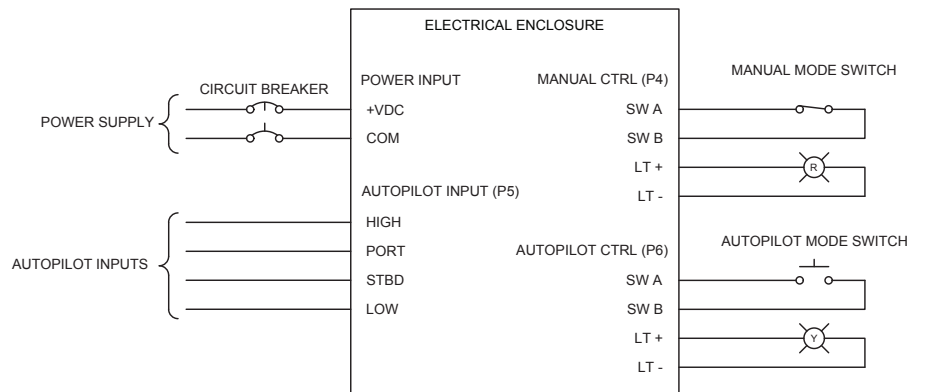
## General Arrangement



## Hydraulic Schematic

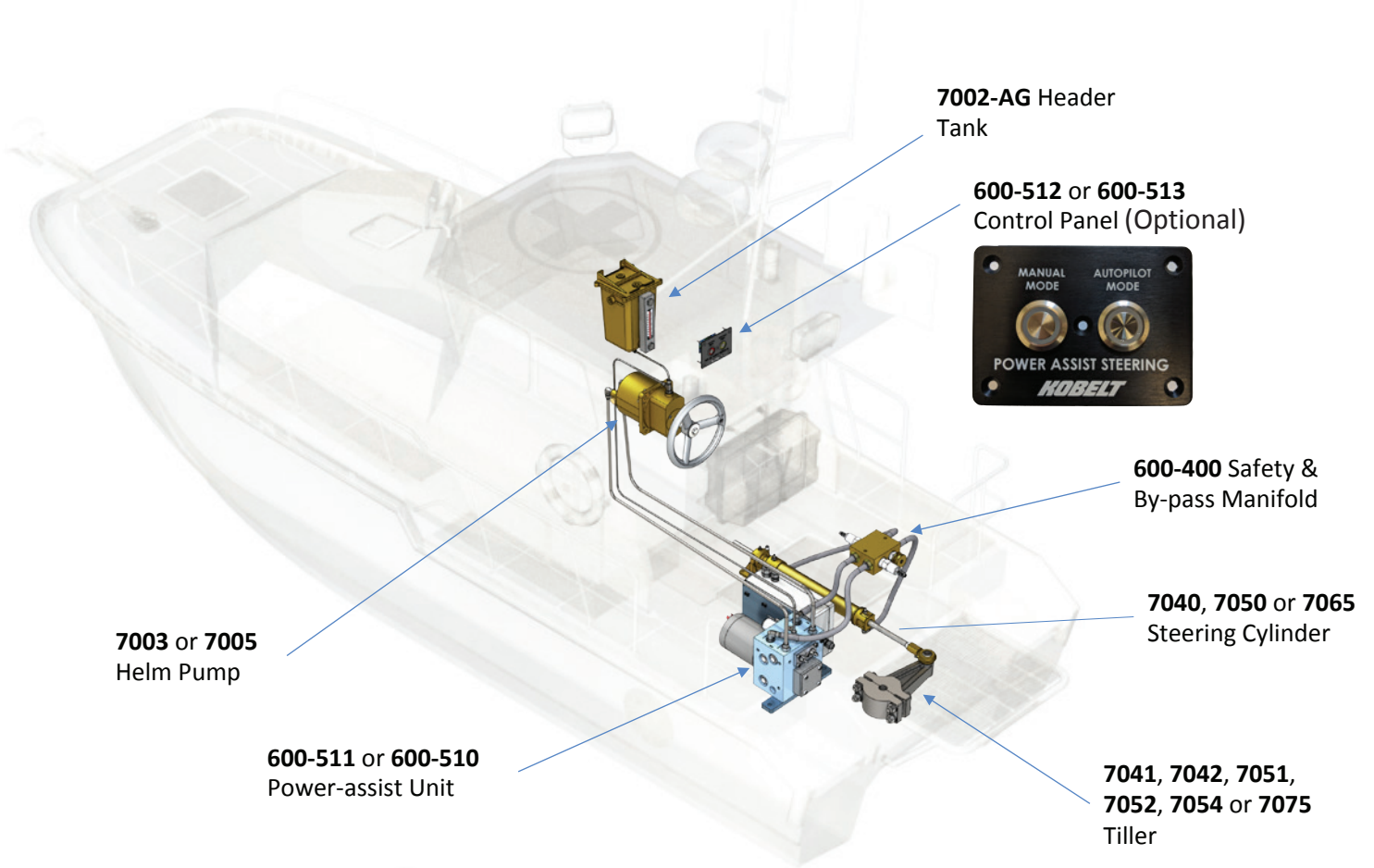


## Connection Diagram



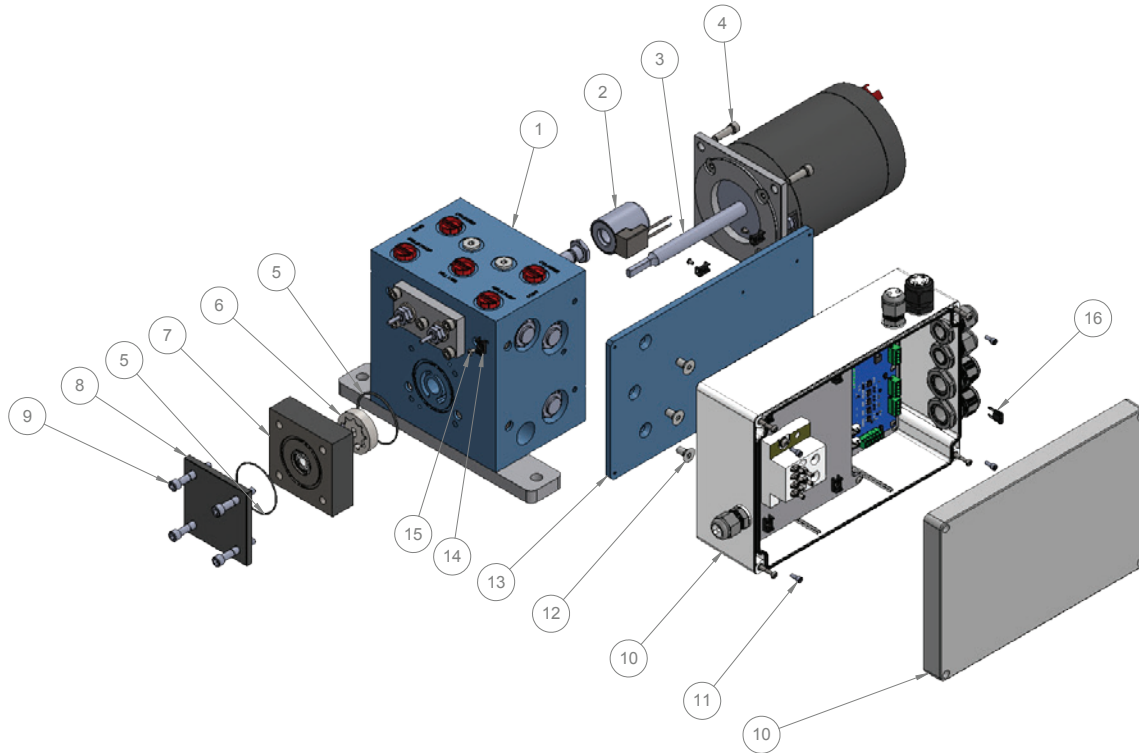
# KOBELT | THE COMPLETE PICTURE

## Kobel Steering System



# PA35 | ACCU-STEER POWER ASSIST STEERING

## Exploded Parts List



ITEM	QTY.	DESCRIPTION	PART NUMBER	
			12 VDC	24 VDC
1	1	PA35 Manifold Sub Assembly	502-650	
2	1	Coil S-Series Size-08	7024-0002	7024-0003
3	1	PA35 Motor Sub Assembly	502-655	502-656
4	4	Screw, Cap, SKT HD, 1/4UNC X3/4, GR 18-8	1002-1012	
5	2	O-Ring, 1 7/8 X 1 3/4 X 1/16	1101-0031	
6	1	Gerotor	7250-0004	
7	1	Pump Housing Sub Assembly	502-115	
8	1	Pump End Cover Plate, HRP35	7001-0042	
9	4	Socket Head Capscrew 1/4-20 X 1 1/2 SS	1002-1024	
10	1	PA35 Electrical Enclosure	503-200	
11	4	Screw, SKT HD, 6-32 UNC X 5/16, SS	1002-0605	
12	3	Flat HD Socket CS, 1/4-20 X 1/2, GR 18-8	1015-1008	
13	1	PA Junction Box Mounting Plate	7057-0013	
14	3	Cable Mount, M3 X 8MM, Nylon 6/6	6009-7245	
15	3	Screw, Cap, BTN HD, #4-40 X 3/16, 18-8	1014-0403	
16	1	Fuse Blade Mini 3A/2A 32VDC Fast-Blow	6009-8403	6009-8402