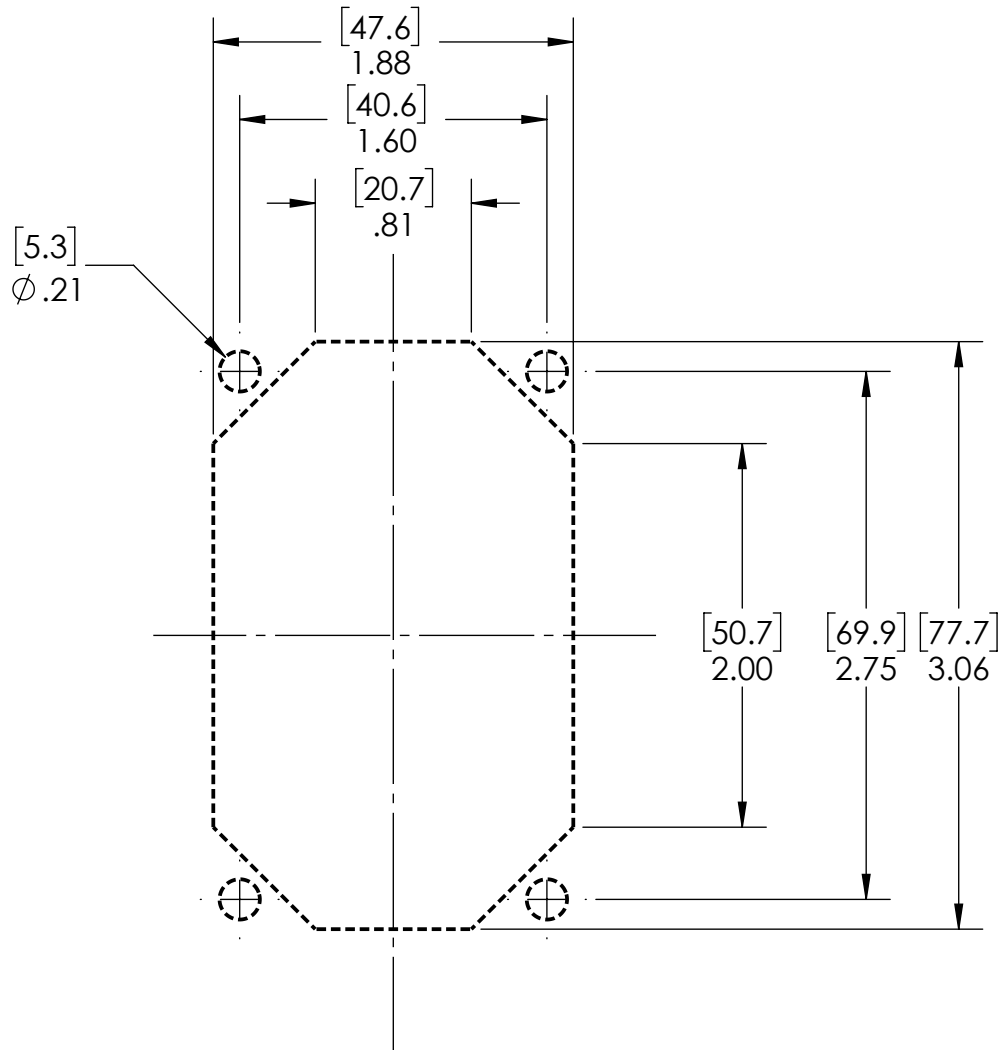


THE INFORMATION CONTAINED IN THIS DRAWING IS THE SOLE PROPERTY OF KOBELT MANUFACTURING. ANY REPRODUCTION IN PART OR AS A WHOLE WITHOUT THE WRITTEN PERMISSION OF KOBELT MANUFACTURING IS PROHIBITED.



**KOBELT**

KOBELT  
MANUFACTURING  
CO. LTD.

8238 129 St. SURREY, B.C.  
CANADA V3W 0A6  
TEL. (604) 572-3935  
www.kobel.com

DIMENSIONS IN INCHES  
UNLESS OTHERWISE SPECIFIED:  
ANGULAR X° +/-0.5°  
LINEAR X.X +/-0.1  
X.XX +/-0.01  
X.XXX +/-0.005  
FRACTION +/- 1/64

DWN: HE 2025-02-05

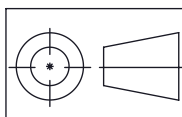
APR:

WEIGHT: lbs

TITLE: **CUT-OUT  
TEMPLATE; 6501  
HEAD**

SIZE <b>A</b>	DRAWING No: <b>CUT-6501</b>	REV <b>A</b>
------------------	--------------------------------	-----------------

SHEET: 1 of 1 SCALE: 1:1



MATERIAL:

ALL MACHINED SURFACES  $\sqrt{125}$