
KOBELT

5026-A DISK BRAKE
AIR APPLIED VERSION

*Owner's Operation, Installation &
Maintenance Manual*

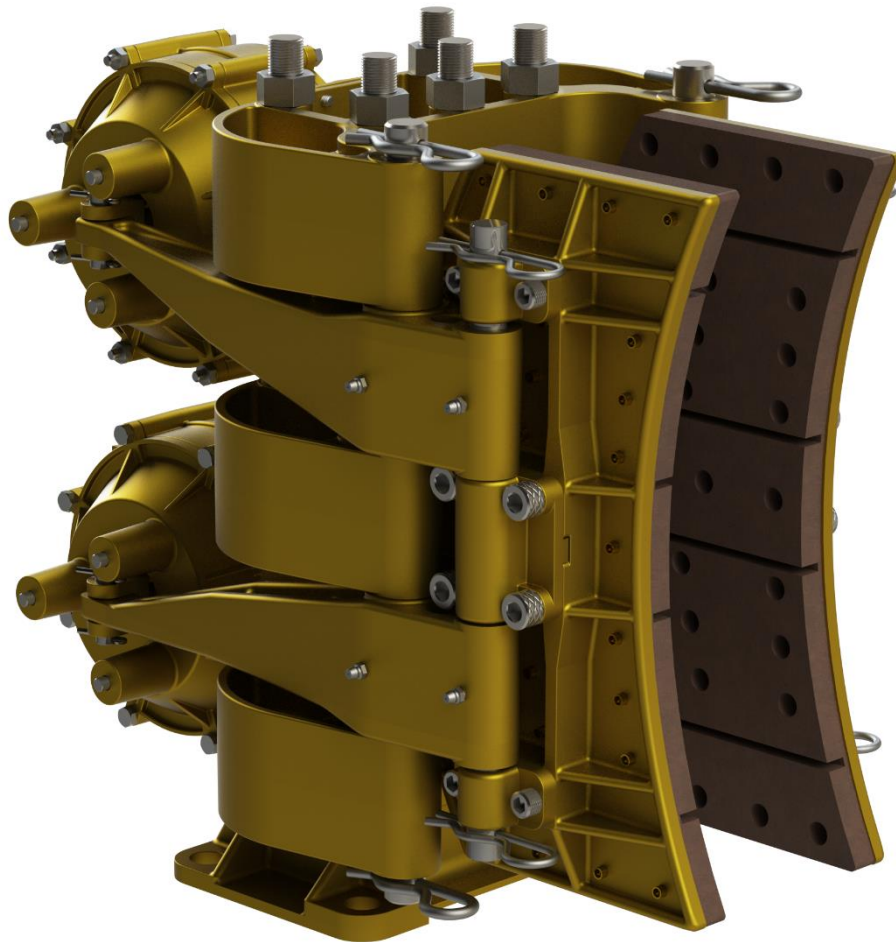


Table of Contents

1	Introduction	4
1.1	Contact Information.....	4
1.2	Safety Information	4
1.2.1	Safety Alerts.....	4
1.2.2	Safety Instructions	5
1.2.3	Hazards	5
1.3	Product Description	6
1.3.1	Overview.....	6
1.4	Technical Data.....	6
1.5	Model Code Key	7
2	Installation	8
2.1	Preparation	8
2.2	Brake Discs	8
2.3	Caliper brakes.....	10
2.3.1	Mechanical.....	10
2.3.2	Piping	10
3	Commissioning	12
3.1	Air Gap	12
3.2	Function Test.....	12
3.3	Burnishing	12
3.4	Torque Test	13
4	Operation	14
4.1	Functional Requirements.....	14
4.1.1	Pressure Supply	14
4.2	Service Limits	14
4.2.1	Disc Temperature	14
4.2.2	Ambient Temperature	14
4.2.3	Pressure	14
4.2.4	Disc speed.....	15
5	Maintenance	16
5.1	Preventative Maintenance.....	16
5.2	Inspection.....	16
5.2.1	Pad Wear	16
5.2.2	Seals.....	16
5.2.3	Pin Wear	17
5.2.4	Brake Disc	17
5.3	Service.....	17
5.3.1	Lubrication.....	17

5.3.2	Stroke Adjustment.....	17
5.3.3	Brake Linings.....	18
5.4	Recommended Spares	19
6	Warranty	20
7	Revision History	21
8	Appendix A: Technical Drawings.....	22
9	Appendix B: Parts List Drawings.....	24

1 INTRODUCTION

1.1 CONTACT INFORMATION

Kobel Manufacturing Co LTD.

8238 129TH Street

Surrey, British Columbia

Canada, V3W 0A6

Sales Tel: 604-572-3935

Fax: 604-590-8313

Email: sales@kobelt.com




Website: www.kobelt.com

For further instructions, please contact our distributors or visit our website.

1.2 SAFETY INFORMATION

1.2.1 Safety Alerts

Throughout this manual, the following symbols, and their accompanying explanation, are used to alert the user to special instructions concerning a service or operation that may be hazardous if performed incorrectly or carelessly. The associated risk levels are stated below.

 DANGER	This symbol indicates an imminently hazardous situation which, if not avoided, will result in death or serious injury.
 WARNING	This symbol indicates a potentially hazardous situation which, if not avoided, could result in death or serious injury.
 CAUTION	This symbol indicates a hazardous situation, which if not avoided, could result in minor or moderate injury.
NOTICE	This symbol informs the reader of events not related to personal injury but which there is a risk of damage to property or equipment.
SAFETY INSTRUCTIONS	This symbol informs the reader of safety-related instructions or procedures.


1.2.2 Safety Instructions


Notice to Installer:


Disregarding the following safety measures can result in an accident causing severe injury to personnel and damage to material assets:


- Only use the product as directed in this manual.
- Never put the product into service if there is evidence of visible damage.
- Never put the product into service before fully completing installation and commissioning.
- Do not carry out any modifications to the product.
- Only use authentic Kobelt spare parts.
- Observe all local regulations, directives and laws during the installation of this product.
- All installation, commissioning and maintenance work must only be conducted by qualified personnel. (For the purpose of this manual, qualified personnel are persons who are familiar with the assembly, installation, commissioning, and operation of the product and who have the qualifications necessary for their occupation.)
- Observe all specifications in this manual. If these guidelines are not followed and damage occurs, the warranty will be voided.


1.2.3 Hazards

 DANGER	Equipment Starts Automatically: Brake systems frequently are controlled remotely and may activate suddenly causing bodily harm. Ensure all power sources are locked out prior to performing work.
--	---

 WARNING	Brake Actuators Contain Compressed Springs: The brake actuators contain springs that are under compression even when the brakes are not pressurized. The springs will release suddenly if disassembled incorrectly posing a risk of serious injury or death. Do not attempt to disassemble the actuators without clear work instructions and training.
--	--

 WARNING	Pinch Points: Brakes contain numerous pinch points which can cause serious injury. Ensure all power sources are locked out prior to performing work.
--	--

 WARNING	High Pressure Fluids: Kobelt lever brakes use high pressure hydraulics. Ensure all pressure is exhausted and the pressure source locked out prior to performing work.
--	---

 WARNING	Hot Surfaces: Disc brakes are capable of making the surfaces of the brake disc dangerously hot when burnishing or during braking events. Ensure the disc is adequately guarded to prevent inadvertent contact with the disc.
--	--

**SAFETY
INSTRUCTIONS****Airborne Dust:**

Brake linings contain fibers that may become airborne during cutting or sanding operations. Over exposure to these dusts should be considered hazardous. Use NIOSH approved respirators when working with brake linings. Request a MSDS for further information.

1.3 PRODUCT DESCRIPTION

1.3.1 Overview

The diagram below shows a typical Kobelt caliper brake with all the major components identified. All of the Kobelt caliper brakes can be fitted with either air applied, hydraulic applied, spring applied with air released or spring applied with hydraulic released actuators depending on the required service.

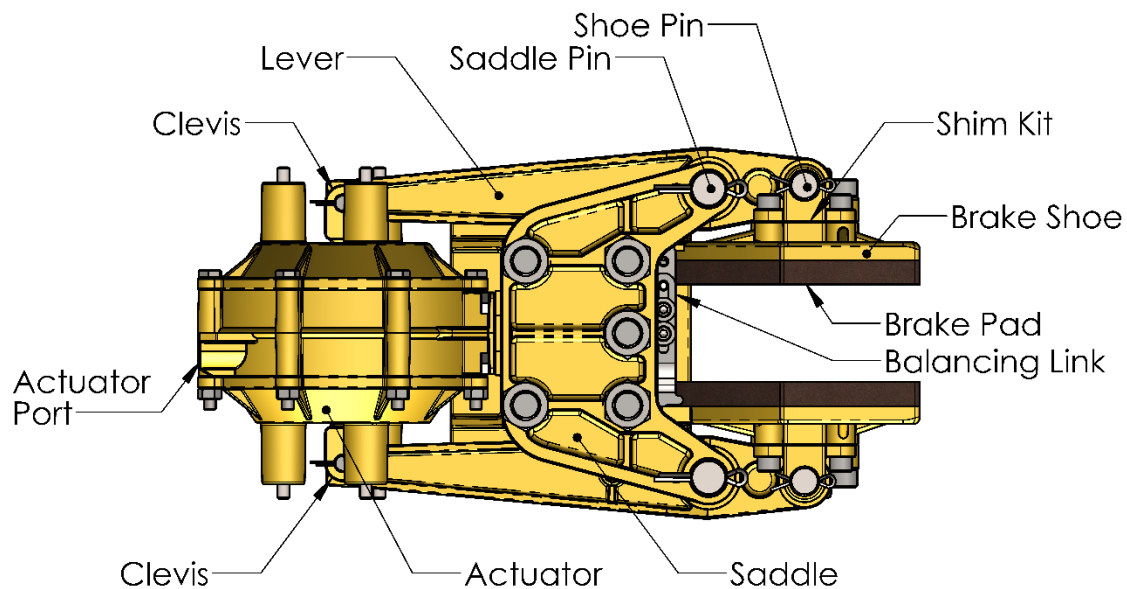
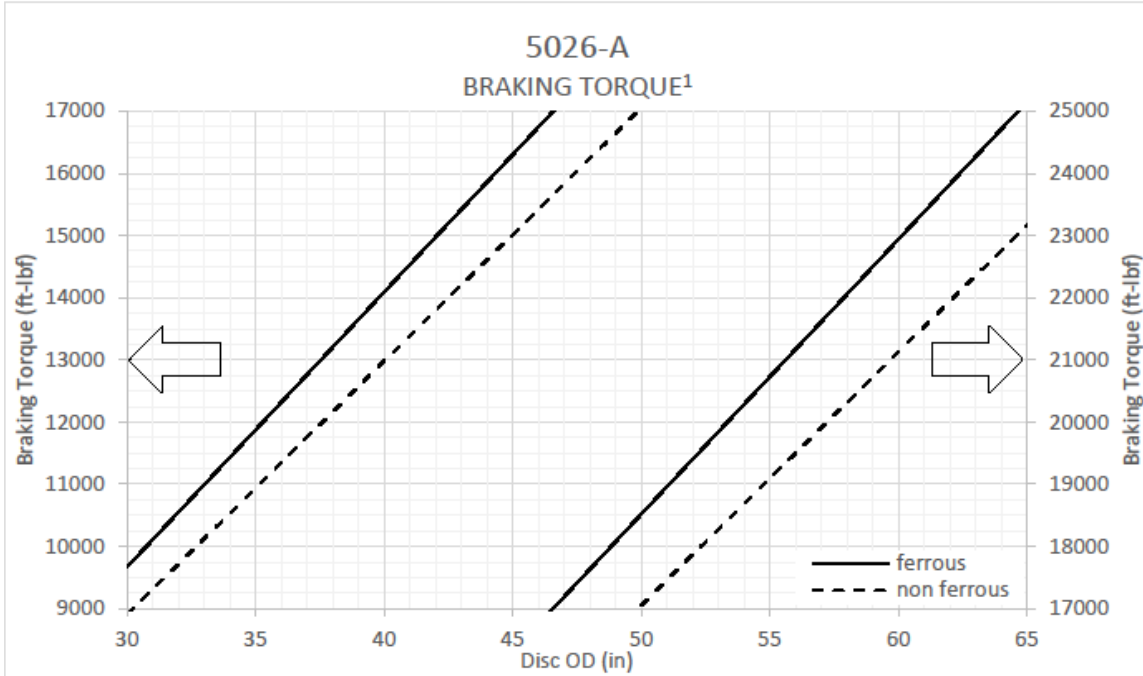


Figure 1: Caliper Brake Nomenclature

1.4 TECHNICAL DATA

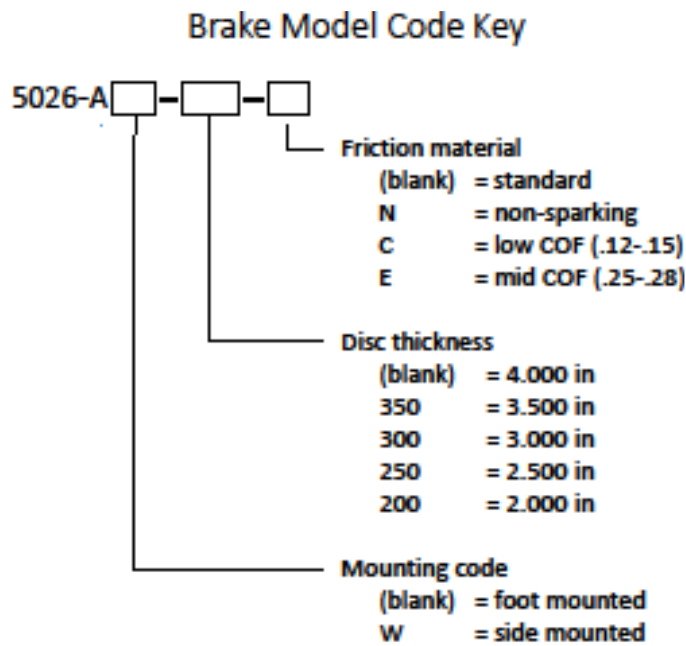
Normal Force:	0 ...13,970 lbs	[0-61.2 KN]
Maximum Pressure:	100 psi	[6.9 bar]
Port Size:	¼ NPT	
Actuator Volume:	60 in ³	[983 cc]
Temperature Range:	-40°F ...+120°F	[-40°C ...+49°C]
Disc Thickness:	4 in	[102 mm]
Minimum Disc Diameter:	30 in	[762 mm]
Maximum Disc Diameter ² :	61 in	[1549 mm]
Pad Life:	9900 hp-hr	[7390 kw-hr]
Weight:	219 lbs	[99.4 kg]



1) Values in this chart are theoretical and for reference only. They are based on properly bedded and burnished linings acting on a rotor at 20°C and manufactured to required specifications.

Technical data and specifications are also available from our datasheet posted on www.kobel.com or the technical drawings in Appendix A.

1.5 MODEL CODE KEY



2 INSTALLATION

2.1 PREPARATION

The foundation plate to support the brake caliper must be designed to withstand the maximum braking forces generated by the brake caliper. The foundation must also be flat to ISO tolerance grade IT8 and square to the brake disc. See Appendix A for key installation dimensions. The brake pedestal must be designed to allow the mounting bolts to be inserted from underneath.

The rotating element should have bearings sufficient to carry the weight of the disc and also resist the additional stress when the disc brake is applied.

The spigot that centers the brake disc must not be designed in such a way that it impedes the thermal expansion of the disc.

Actuator ports are plugged to prevent contamination of the seals. Remove the plugs prior to connection to the piping.

Brake discs are shipped with a light rust inhibitor applied to the surfaces. Remove the rust inhibitor using solvent and a cloth prior to installation.

Any guarding around the brakes must provide enough room to allow full extension of the brake actuators plus full pad wear adjustment.

2.2 BRAKE DISCS

The brake disc must be installed onto the rotating element before installing the caliper. Brake discs must meet the following requirements:

Table 1: Brake Disc Requirements

MODEL	5000-SERIES
AXIAL RUN OUT	IT9 (TIR) ¹
RADIAL RUN OUT	IT11 (TIR) ¹
FLATNESS	.003 in [.08 mm]
PILOT FIT	H9/f8
SURFACE FINISH	63 micro inches [1.6 micrometers] RMS
SURFACE HARDNESS	Light Duty ² HB135 minimum
	Heavy Duty ³ HB235 minimum

¹ International tolerance class. Allowable run out is proportional disc O.D.

² Parking brakes and emergency brakes with stopping times of 10 seconds or less are considered light duty.

³ Ventilated discs are exempted from this requirement

To achieve the runout tolerance the mounting face on the rotating element must be machined flat. Excessive run-out of the disc could cause premature wear of the linings, caliper pins, lever journals as well as the actuators.

The disc mounting bolts used must be of a suitable size and grade to safely resist the brake torque plus the stresses induced from thermal expansion of the disc. For high temperature disc applications, the holes for the mounting bolts must be machined oversized to allow the disc to expand during operation. Ensure that adequate washers are used to bridge the gap between the bolt and bolt hole.

Table 2: Mounting Bolt Radial Clearance

MOUNTING BOLT RADIAL CLEARANCE				
Disc Bolt Circle In [mm]	Maximum Disc Temperature, °F [°C]			
	400 [204]	500 [260]	600 [316]	700 [371]
10 [254]	0.011 [0.3]	0.014 [0.4]	0.017 [0.4]	0.021 [0.5]
15 [381]	0.016 [0.4]	0.021 [0.5]	0.026 [0.7]	0.031 [0.8]
20 [508]	0.022 [0.6]	0.028 [0.7]	0.035 [0.9]	0.041 [1.0]
25 [635]	0.027 [0.7]	0.035 [0.9]	0.043 [1.1]	0.051 [1.3]
30 [762]	0.032 [0.8]	0.042 [1.1]	0.052 [1.3]	0.062 [1.5]
35 [889]	0.038 [1.0]	0.049 [1.2]	0.061 [1.5]	0.072 [1.8]
40 [1016]	0.043 [1.1]	0.056 [1.4]	0.069 [1.8]	0.082 [2.1]
45 [1143]	0.049 [1.2]	0.063 [1.5]	0.078 [2.0]	0.092 [2.3]

To reduce the size of the mounting bolt clearance hole it is recommended to offset the bolt circle on the brake disc inwards the required amount for radial clearance. The end result is the brake disc will have a slightly smaller bolt circle than the hub and the required radial clearance will be on the side where it is needed.

⚠ WARNING Do not use fitted bolts for installing brake discs. The bolt holes must be over sized to permit uninhibited expansion.

⚠ WARNING Do not secure a brake disc to a rotating element by welding.

⚠ WARNING Do not paint the cooling fins of a ventilated disc. The cooling efficiency will be compromised and overheating may result.

If the disc was damaged during installation with nicks or welding marks, remove the defects before putting into service.

For cases where a disc guard or some protective cover is required for a ventilated disc ensure that the guard does not compromise the performance. An improperly designed cover or shield may cause air recirculation through the disc or radiant heat reflection, which could result in the disc overheating. The cooling air pumped through the disc must be exhausted away from the outer diameter of the disc to allow fresh, cool air to enter the inner vent opening of the disc.

2.3 CALIPER BRAKES

2.3.1 Mechanical

Perform the following steps to properly install a caliper brake:

1. Lower the brake onto the brake pedestal and center over the mounting holes.
2. Using feeler gauges to ensure that the brake air gap is equal on both sides of the disc.

NOTICE

Ensure the caliper is centered. The balancing link will be subjected to excessive stresses that will damage it.

3. Position the brake so that the outer radius of the brake shoe is in full contact with the Disc. Do not move the brake too close as enough radial distance must be provided to allow for disc expansion without causing interference between the outer circumference of the disc and the inner caliper frame.
4. Manually apply the brake onto the disc. The brake shoes will naturally align with the disc.
5. Probe under the brake base with feeler gauges to determine the shimming requirement.
6. Manually release the brake again and lift the brake up approximately two inches.
7. Insert the shims determined from step 6. Use ANSI shims that straddle the mounting bolts.
8. Insert the mounting bolts from underneath the pedestal using appropriate flat washers. The nut must be on top of the brake foot. The mounting bolts must be of SAE grade 5 or better. It is recommended to use a thread locking product such as Loctite® to ensure a vibration resistant and secure joint.
9. Lower the brake down and tighten the mounting bolts to the recommended preload.

2.3.2 Piping

The piping to the brakes must be adequately sized to ensure rapid response times in all weather conditions. The piping must be selected to safely withstand the pressures required to operate the brakes. Secure the piping against vibration with pipe clamps per the schedule in the table below.

Table 3: Pipe Clamp Table

PIPE CLAMP TABLE				
PIPE SCHEDULE	3/8"-1/2" tube [DN6]	1/4" – 1/2" pipe 1/2"-3/4" tube [DN8-DN15]	3/4" pipe 1"-1.25" tube [DN20]	1" pipe 1.50" tube [DN25]
CLAMP SPACING	3 ft [914 mm]	4 ft [1219 mm]	5 ft [1524 mm]	6.5 ft [1981 mm]

All piping must be cleaned prior to connection to the actuators. Welded carbon steel piping must be pickled to remove the scale produced by welding.

The connections to the brake actuators must be made by hoses of suitable rating to accommodate the movement of the brake levers.

The brake actuators are equipped with different sizes of pressure ports. Consult the technical drawing of the relevant model code for the specific port data. Install the port fitting using thread sealant and tighten to 2 - 3 turns from finger tight. Use brass pipe fittings for the as steel fittings are too heavy and may split the port.

NOTICE

Do not over tighten the fitting in the actuator port as damage to the actuator may occur.

For spring applied / air released caliper brakes it is recommended to install a quick exhaust valve at each actuator.

For operation in sub-zero temperatures down to a minimum of 0°F [-20°C] the air must be dried to a dew point of -50°F [-44°F]

 **WARNING**

Failure to adequately dry the compressed air supply may result in the brake valve freezing and rendering the brakes inoperable in sub-zero weather conditions.

3 COMMISSIONING

3.1 AIR GAP

Prior to putting the brakes into service ensure that the airgap between the brake pads and disc when the brakes are released is set to .01" [.25 mm] per shoe. Adjust if necessary, per [section 5.3.2](#).

3.2 FUNCTION TEST

Before burnishing the brakes perform a quick inspection and function test of the brakes:

- (1) Ensure that all mounting bolts are properly installed.
- (2) Ensure proper running clearance (air gap) with the disc.
- (3) Ensure unobstructed movement of the brake levers for full actuator extension.
- (4) Ensure the brake disc surface is clean. Remove all contamination from the disc with cleaning solvent.
- (5) Check the source of fluid supplied that it complies with the specified pressure range and that it is properly interlocked with other machinery such as clutches, electric motors, etc.
- (6) Check that all bolts are tight, and cotter pins are in place.
- (7) Cycle the brakes and ensure that the brakes are operational

3.3 BURNISHING

Burnishing is required in order to achieve rated brake torque. The process of burnishing removes minor contaminants from the rubbing surfaces and improves the degree of contact between the brake pad and disc.

Before burnishing, the brake disc must be checked to ensure it is free from contamination and oil. Use a solvent and cloth to remove any oil residue. Slight surface rust will be removed during the burnishing process, but heavy rust should be removed prior to burnishing.

If present, safety interlocks of the drive mechanism should be temporarily defeated to allow the disc to be driven with the brake partially applied.

The temperature of the disc surface must be monitored during the burnishing process and kept between 250°F (120°C) and 500°F (260°C). If the upper temperature is reached, pause the burnishing process until the disc is cooled to the lower limit.

Extreme care must be taken not to overheat the disc during the process. On water cooled discs it may be necessary to limit the flow of cooling water in order to achieve the necessary disc temperature for effective burnishing.

**WARNING**

Disc temperature must not exceed 700°F (371°C) or permanent degradation of the lining may occur.

Burnishing is best achieved by applying the maximum torque and minimum speed that the drive can tolerate. Depending on the configuration of the brake system it may be necessary to reduce the burnishing torque by;

- a) Partially applying the brake with fluid pressure to a level that the drive can tolerate, or
- b) In systems with more than one brake, isolate all but one brake and burnish one brake at a time.

Three important points to consider when burnishing are;

- i. The temperature of the disc must be closely monitored. Excessive heat will damage the friction linings.
- ii. The duration of burnishing varies with each application.
- iii. Burnishing is not complete until the brake is producing rated torque. This will be indicated by the motor current while burnishing.

**WARNING**

Failure to properly burnish will not allow the brake to produce adequate torque for the intended duty.

3.4 TORQUE TEST

Before putting equipment into service, confirm that full rated braking torque has been achieved through load testing or a torque test against the drive motors. If full brake torque has not been achieved, continue burnishing.

4 OPERATION

4.1 FUNCTIONAL REQUIREMENTS

4.1.1 Pressure Supply

It is necessary to size air compressors and storage tanks to provide sufficient air for the intended duty of the brakes.

Except as noted below, Kobelt air applied caliper brakes utilize diaphragm type actuators and therefore do not require lubrication.

NOTICE

The actuator diaphragms are not compatible with mineral oils. Do not lubricate diaphragm actuators with mineral oil as damage to the diaphragm will occur.

The main supply line to the brake system should be equipped with a filter, and regulator. The filter's function is to remove moisture and dirt in the system and the regulator will provide a constant air pressure to the control system. If the brake system is operating in sub-zero temperatures, it is recommended to have an air dryer in the system to remove all moisture. Alternatively, a lubricator can be filled with methyl hydrate (wood alcohol) to prevent freezing of the air system.

4.2 SERVICE LIMITS

4.2.1 Disc Temperature

The Kobelt brake lining achieves maximum friction at 300°F. Over 300°F the brake begins to fade or experience diminishing friction. The maximum operating temperature of the brake linings is 700 °F [371° C]. Temperatures in excess of this limit will permanently damage the linings and require replacement.

4.2.2 Ambient Temperature

In sub-zero temperatures, ventilated discs must be warmed up gently to avoid causing excessive thermal stresses in the disc. Failure to do so could cause the disc to crack. Once the temperature of the disc is out of freezing condition it can be used as normally intended.

Operating temperature of standard brake actuators is -40°C [-40°F] to 120°C [248°F]

4.2.3 Pressure

Do not allow the supply pressure to exceed the values given in the [Technical Data](#) section. If the available supply pressure exceeds the maximum allowable working pressure, then some form of a pressure regulator is required. Also, the pressure supply system must be equipped with a safety relief valve to ensure the given maximum allowable working pressure.

4.2.4 Disc speed

The potential imbalance in the ventilated disc could be detrimental to rotating equipment at high speeds. For running speeds greater than the values listed in the table below the discs must be balanced. Under no circumstances must the running speed exceed the value given in the right-hand column.

Table 4: Maximum Disc Speeds

Part Number	Nominal OD		Max. Speed	
	inch	mm	rpm	
4" x 7" Series			Standard	Balanced
4-07-30	30	762	870	1800
4-07-35	35	889	720	1500
4-07-40	40	1016	610	1300
4-07-48	48	1219	480	1100
4-07-54	54	1372	430	1000

5 MAINTENANCE

5.1 PREVENTATIVE MAINTENANCE

Maintenance Schedule

Maintenance Item	Monthly	Annually	5 years
Inspect for leaks	✓		
Measure air gap	✓		
Determine pad life	✓		
Lubricate pivot pins		✓	
Inspect brake disc		✓	
Torque Test		✓	
Inspect Brake pins			✓
Service Actuators			✓

5.2 INSPECTION

5.2.1 Pad Wear

The running clearance (air gap) between lining and disc must be maintained within the specified limits. Failure to do so will result in sluggish brake response and excessive air consumption. When the running clearance has reached 0.04" [1 mm] the brake must be adjusted back to 0.01" [0.25 mm] per shoe. Refer to [section 5.3.2](#).

For pressure applied brakes maintain the proper running clearance between the shoe and the disc to ensure fast response and minimize the air consumption.

The maximum allowable pad life has been reached when the brake pad has worn down to 3/16" [4.8 mm] thick. The lining must be replaced before the shoe lining bolts or rivets start making contact with the brake disc.

5.2.2 Seals

The actuator seals should be inspected on a periodic basis. For air applied brakes apply air pressure to the actuators and listen for any hissing sound that would indicate a torn or ruptured diaphragm.

5.2.3 Pin Wear

The pivot pins must be removed for inspection once every five years. If there is any evidence of heavy scoring more than .01" [.25 mm] deep or if any area of the pin has been worn down by more than .01" [.25 mm] then replace the pins.

5.2.4 Brake Disc

The brake disc must be inspected periodically to monitor the condition of the braking surface. When the condition of the braking surface has deteriorated to the point that the quality requirements in section 2.2 are no longer met the disc must be removed and resurfaced or replaced. Follow the minimum thickness allowances in the table below as a guideline for when a disc must be replaced.

Table 5: Brake Disc Minimum Thickness Allowances

Brake Disc Minimum Thickness		
Disc Series	Original Thickness in [mm]	Minimum Thickness in [mm]
4-07-XX	4.00 [101.6]	3.88 [98.6]

NOTICE

When re-machining the disc surface, equal amounts must be taken off of each face.

1. When re-machining the disc surface equal amounts must be taken off of each face.

5.3 SERVICE

5.3.1 Lubrication

Disc brake calipers equipped with spring applied, air released actuators must have a lubricator in the control air system using light hydraulic oil as a lubricant. This is to prevent premature seal wear and reduce seal friction.

All Kobelt calipers, during assembly, are pre-greased on the shoe pin and saddle pin with a Lithium based NLGI 2 grease. These pins must be re-greased no less than once annually.

5.3.2 Stroke Adjustment

Follow the procedure below to adjust the brake shoe running clearance back within specifications.

Procedure for Adjusting Air Gap:

1. Remove the four actuator mounting bolts.
2. Remove cotter pins from clevis pins
3. Slide the clevis pins out
4. Move actuator away from lever

5. Rotate Clevis to desired position (1 full turn of clevis = 0.025in/0.6mm of shoe movement). Turn counterclockwise to decrease clearance and clockwise to increase.
6. Return actuator to position and insert pins, cotter pins and bolts.

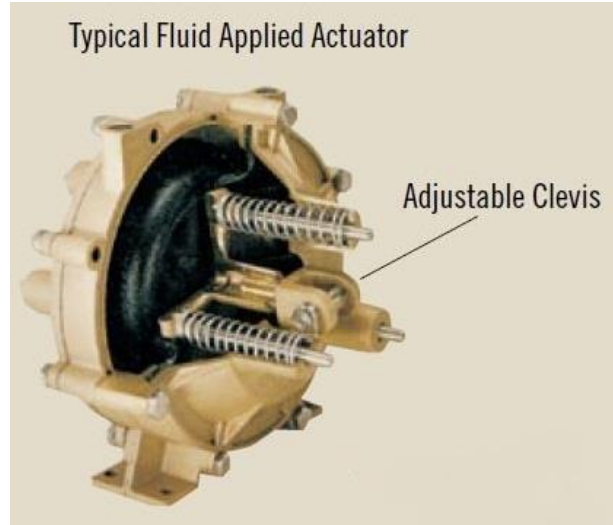


Figure 1: Stroke Adjustment Reference Diagram

Note:

1. When the brake linings are replaced it will be necessary to reset the clevises by turning inward to allow for the extra thickness of a new lining.

5.3.3 Brake Linings

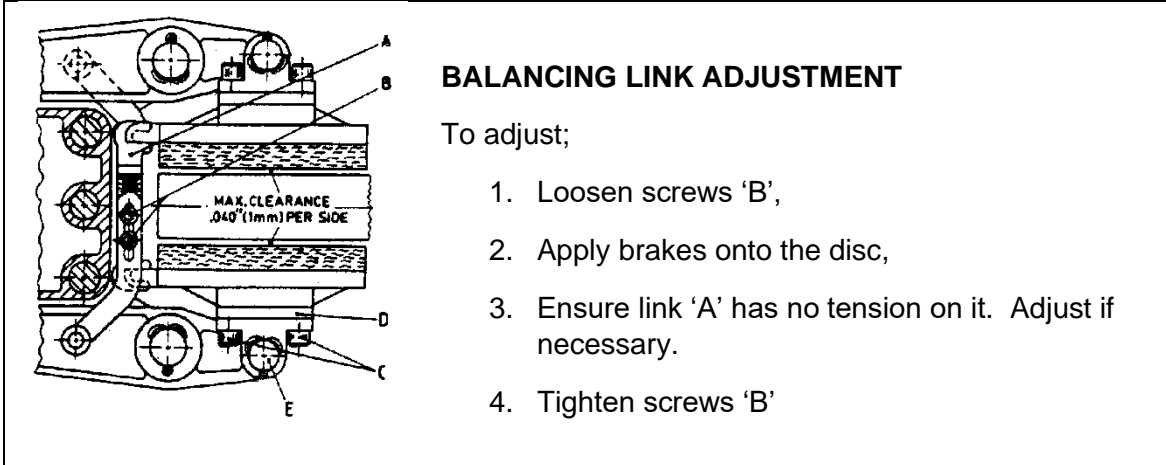
The linings must be replaced before the rivets make contact with the disc. Remove worn linings from the shoe by drilling out the rivets with a 1/4" drill. Install new linings with the proper rivets.

LINING REPLACEMENT

1. Remove bottom cotter pins from pins 'E'.
2. Remove pins 'E' by pulling upwards.
3. Remove shoes by sliding radially forward to clear the ends of the levers.

When re-installing the shoes into the caliper assembly, be sure to re-engage the balancing links "A".

If there is insufficient room radially to remove the shoe, then screws 'C' must be removed.



BALANCING LINK ADJUSTMENT

To adjust;

1. Loosen screws 'B',
2. Apply brakes onto the disc,
3. Ensure link 'A' has no tension on it. Adjust if necessary.
4. Tighten screws 'B'

When reinstalling the shoes and pivot blocks reinstall the shoe pin first to align the pivot blocks before tightening screws 'C'. Tighten screws 'C' to **37 ft-lbs [50.2 Nm]**.

5.4 RECOMMENDED SPARES

The spare parts kept on hand will depend on the severity of the service. As a minimum Kobelt recommends keeping the following parts for each brake in service:

1. One Lined set of brake shoes
2. One set of brake pads with rivets
3. One actuator
4. Two seal kits

Refer to the parts list drawings in Appendix B for a complete list of parts.

NOTICE

It is recommended that any required service work on a Kobelt unit be performed by a factory authorized service representative. Please contact the nearest Kobelt authorized distributor for assistance.

The table below itemizes which kit/spare part numbers change with the various brake configuration options. Please reference this table to ensure you receive the correct parts.

Table 6: Configuration Kit Numbers

Configuration Kit Numbers			
Friction Code	Lined Shoe	Disc Code	Shim Kit
-N	5026-LSN5	-350	5026-3500
-C	5026-LSC5	-300	5026-3000
-E	5026-LSE5	-250	5026-2500
		-200	5026-2000

6 WARRANTY

Kobel Manufacturing Co. Ltd. (“Kobel”) warrants the Products and Parts manufactured by Kobel to be free from defects in workmanship or material and that said products are designed mechanically and functionally to perform to specifications.

This warranty is effective providing:

- The equipment is used within the intended operating conditions and in accordance with Kobel recommendations
- The equipment is installed according to equipment diagrams, specifications and recommendations which Kobel has provided

This warranty becomes invalid if the factory supplied serial number has been removed or altered on the product. This warranty does not cover cosmetic damage or damage caused by an act of God, accident, misuse, abuse, negligence or modification of any part of the product. This warranty does not cover damage due to improper operation or maintenance, connection to inappropriate equipment or attempted repair by anyone other than an authorized Kobel representative.

Upon identification of a potential issue or defect with a Kobel Product or Part, the Warranty Applicant (“Applicant”) must immediately contact Kobel and describe the issue in writing, by letter, fax, email or other electronic conveyance. Kobel will then assess the cause of the defect, and determine warranty applicability and appropriate remediation.

If any part is found to be defective, Kobel will replace said part FOB the Kobel factory provided that any such defective part is returned by the Buyer with freight and applicable forwarding charges prepaid by the Buyer. Kobel’s sole obligation to the Applicant will be to repair or replace the defective part with same or similar product, to a maximum value of the list price of the product or part. The Kobel warranty does not cover labour charges, travel or any other associated expenses.

All Products and Parts manufactured by Kobel, with the exception of brake discs and pads, are subject to a warranty against manufacturer’s defects in materials or workmanship for a period of two (2) years from the date of purchase. Brake discs are subject to a one (1) year warranty period, and brake pads and linings are not covered by warranty.

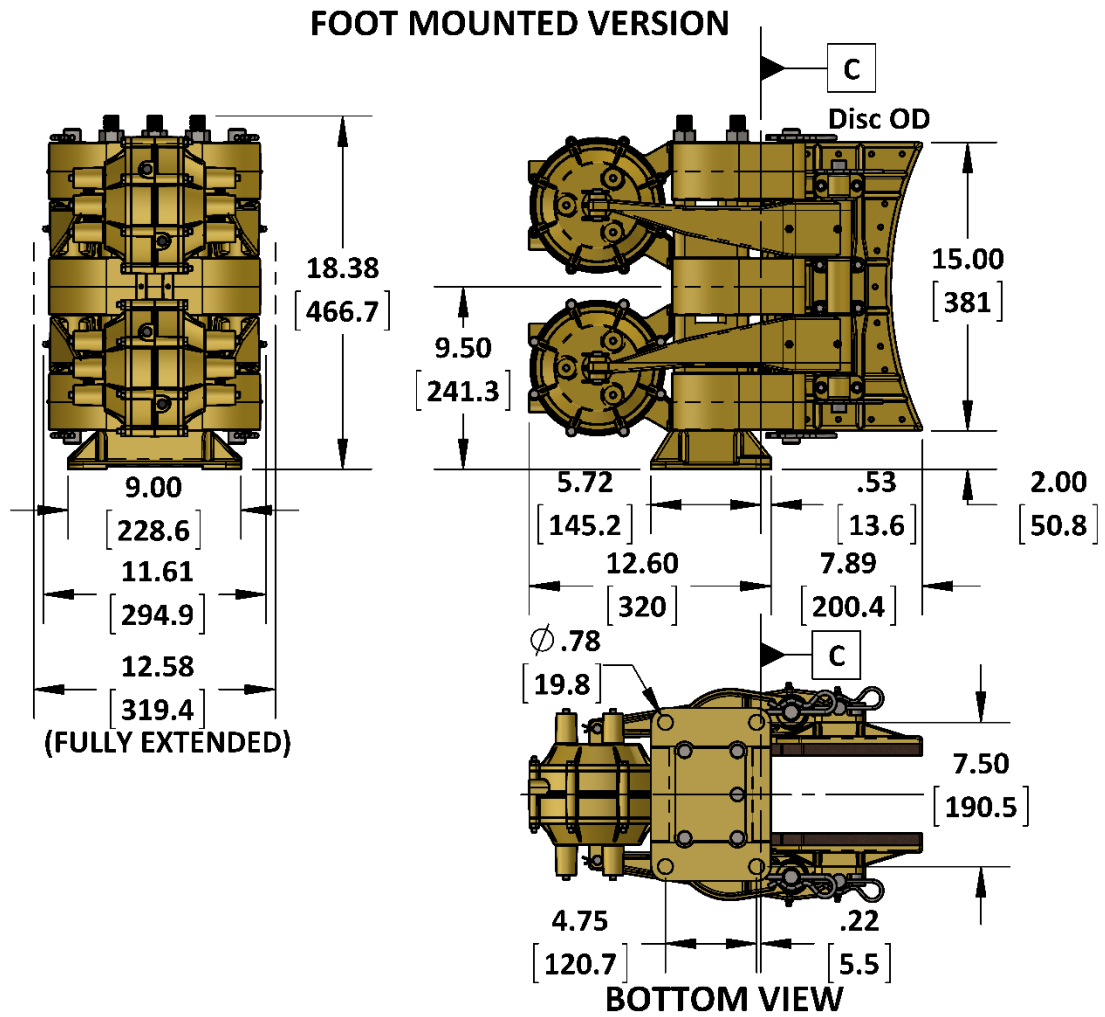
Kobel will be responsible for all Products or Parts sold by Kobel but manufactured by 3rd party manufacturing companies. However, these products and parts are subject to applicable 3rd party warranties, and may not be the same as the Kobel warranty.

7 REVISION HISTORY

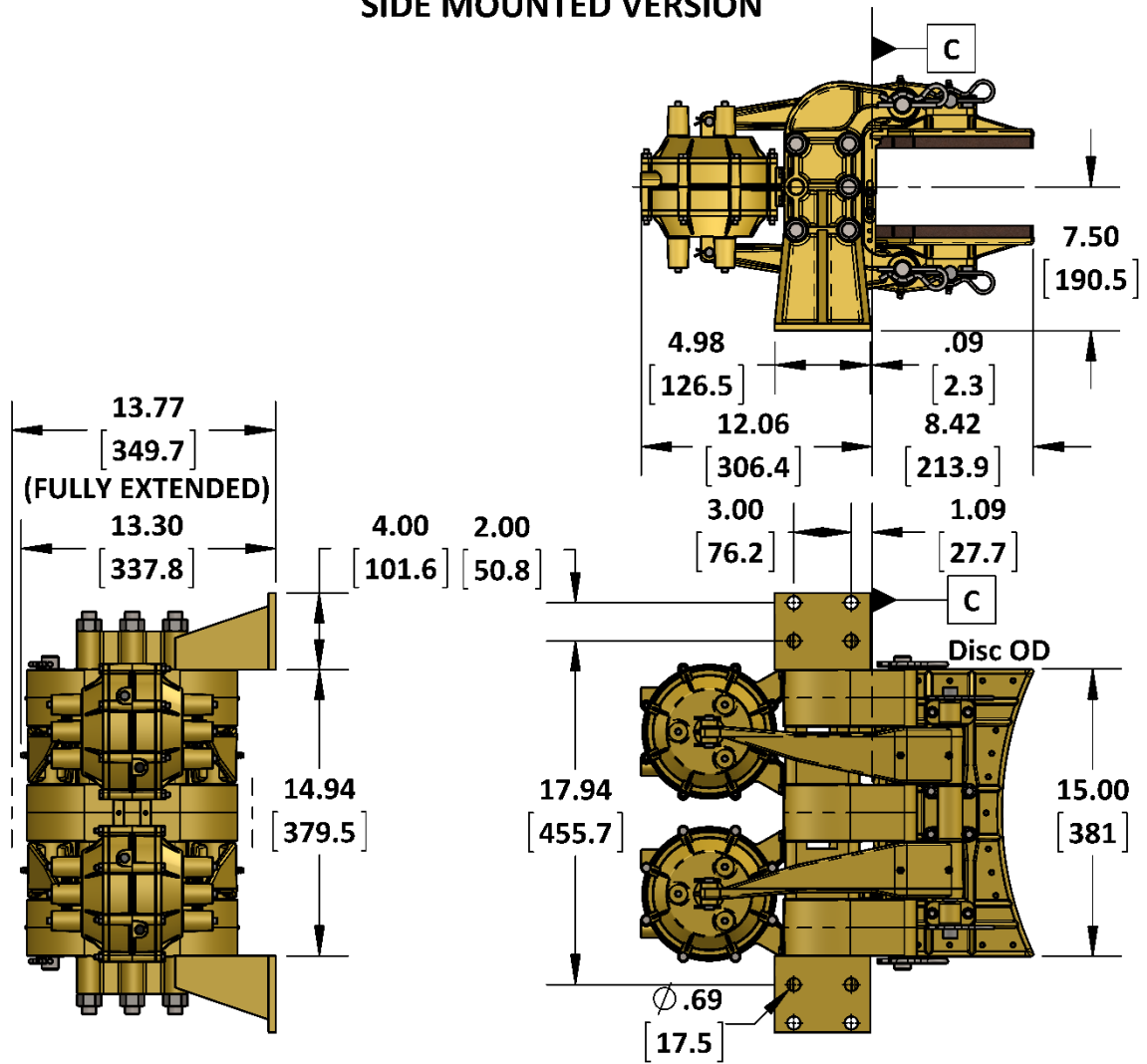
Table 7: Revision History

Document Revision	Release Date	CO	Author	Revision Summary
B	2025-02-04	01171	SV	<ul style="list-style-type: none">Update the item numbers in BOM and match with pictures on page 25 and 27

8 APPENDIX A: TECHNICAL DRAWINGS

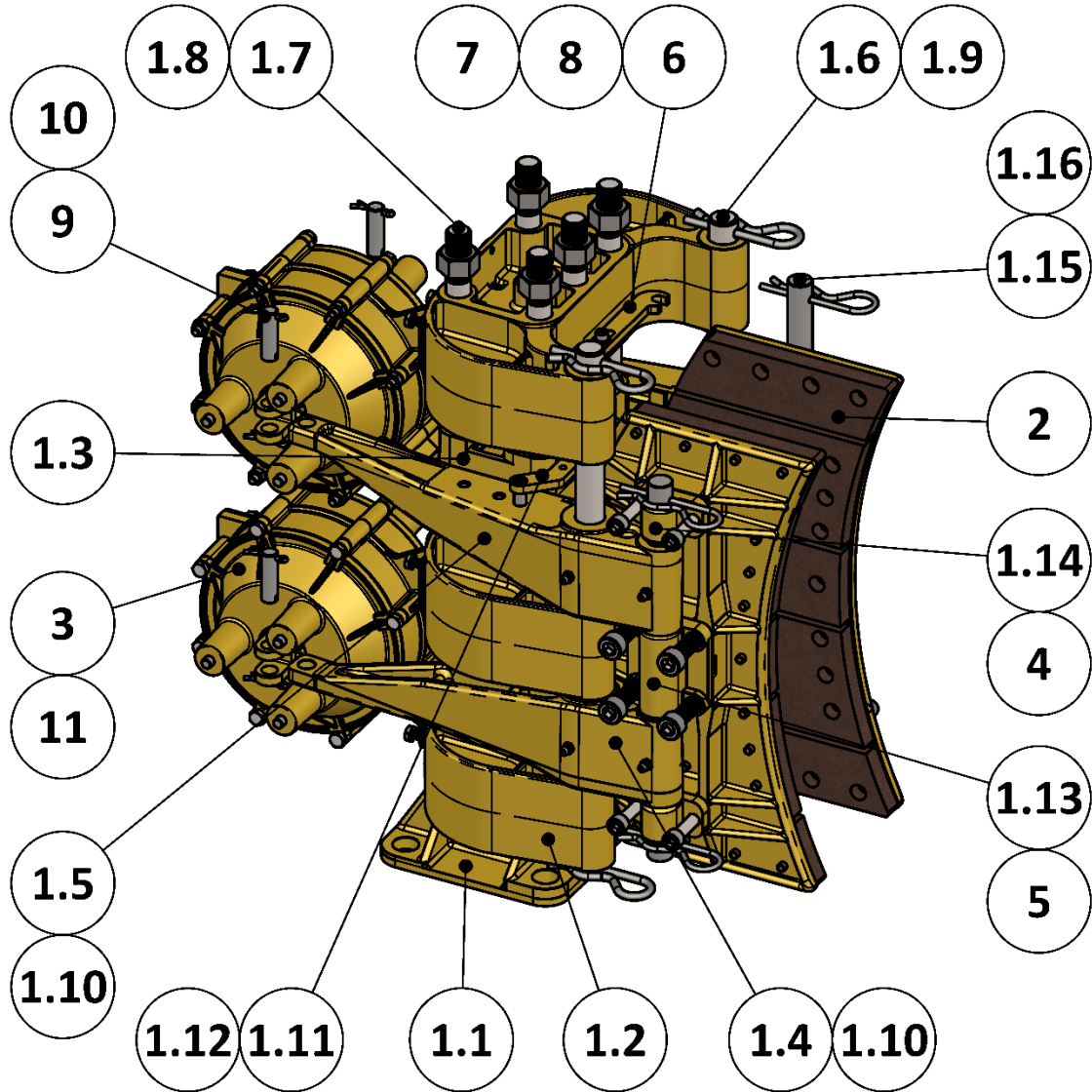


SIDE MOUNTED VERSION



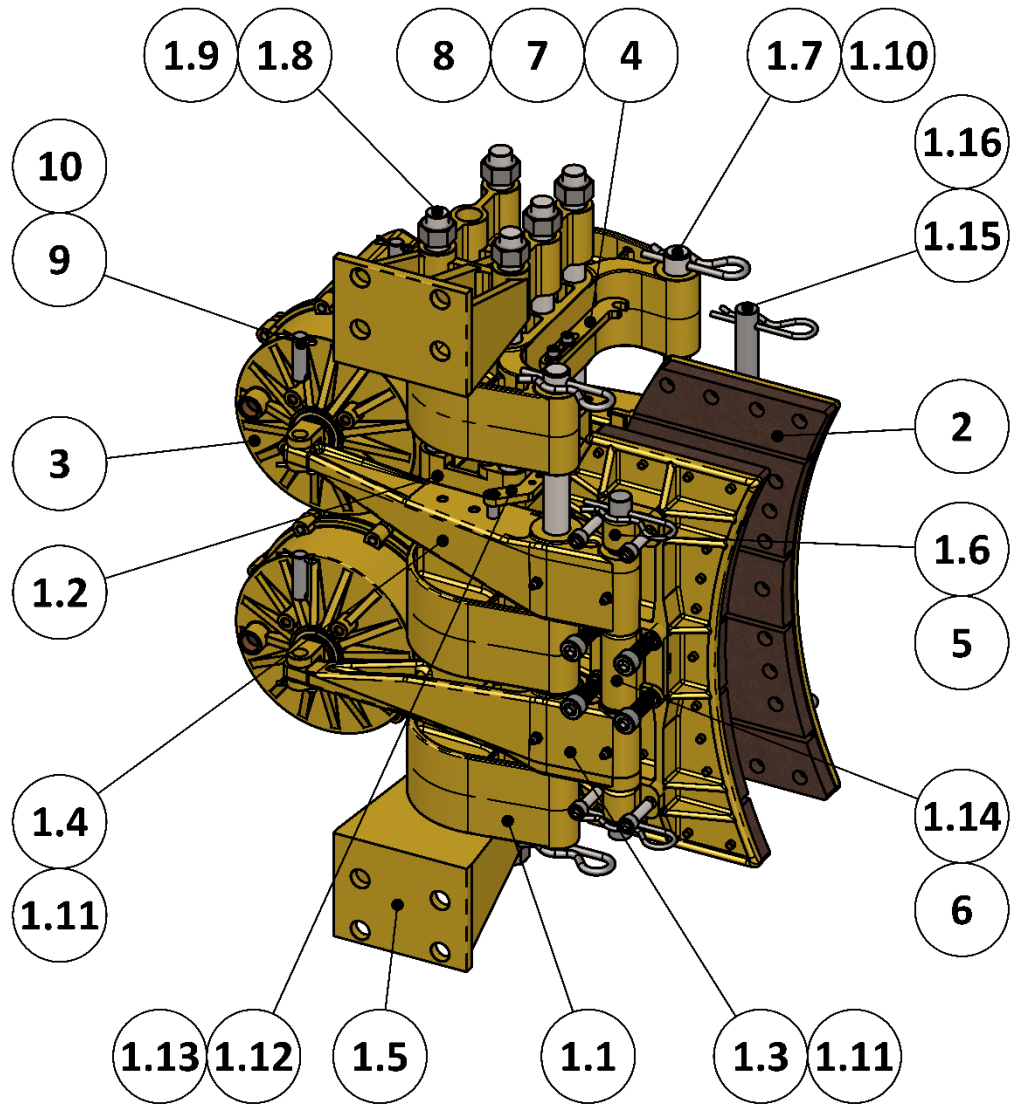
9 APPENDIX B: PARTS LIST DRAWINGS

5026-A



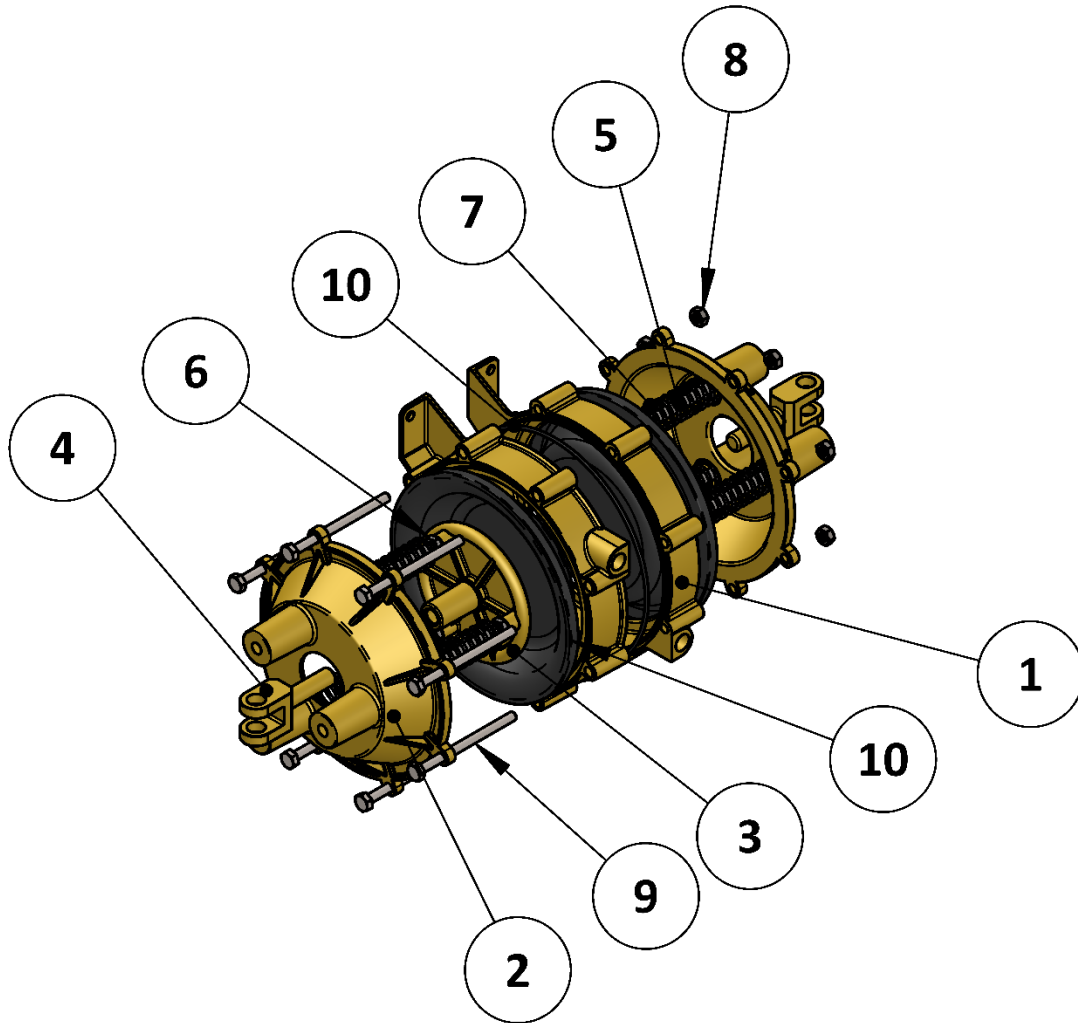
ITEM	QTY.	PART NUMBER	DESCRIPTION
1.1	1	5025-0001	BRAKE FOOT, 5025 CALIPER
1.2	3	5025-0002	SADDLE, 5025 CALIPER
1.3	2	5026-0003	SPACER, 5026 CALIPER
1.4	2	5026-0004-R	LEVER, RIGHT, 5026 CALIPER, DIE CAST
1.5	2	5026-0004-L	LEVER, LEFT, 5026 CALIPER, DIE CAST
1.6	2	5026-0028	PIVOT PIN, 5026/28 CALIPERS
1.7	5	5027-0023	TIE ROD, 5026 & 5027 CALIPER
1.8	5	1022-0117	NUT, HEX, 3/4-10 UNC, Gr 18-8
1.9	4	1039-0470	PIN, HAIRPIN COTTER, 1/4 X 4-1/4, STEEL
1.10	8	1501-0301	GREASE NIPPLE, 1/4-28
1.11	2	5025-0011	BALANCING LINK, PIVOT END
1.12	2	5024-0026	LINK PIN, 5024 - 5026 CALIPERS
1.13	2	5026-0013	PIVOT BLOCK, CENTER, 5026 CALIPER
1.14	4	5026-0014	PIVOT BLOCK, OUTER, 5026 CALIPER
1.15	2	5026-0027	SHOE PIN, 5026 CALIPER
1.16	4	1039-0352	HITCH PIN, 5/16 X4, STEEL
2	2	5026-LS	SHOE ASSEMBLY, 5/8" K5, 5026 CALIPER
3	2	6120	AIR APPLIED ACTUATOR, 6120
4	8	1002-1220	SCREW, SKT HD, 3/8-16 UNC X 1-1/4, SS
5	8	1002-1420	SCREW, SKT HD, 1/2-13 UNC X 1-1/4, SS
6	2	5025-0012	BALANCING LINK, FORK END, 5025 CALIPER
7	4	1023-0216	FLAT WASHER, 1/4, TYPE B, NARROW
8	4	1002-1010	SCREW, SKT HD, 1/4 UNC X 5/8 LG, 18-8 SS
9	4	6230-0010	CLEVIS PIN, 1/2" DIA
10	8	1026-0516	COTTER PIN, 1/8" X 1", SS
11	8	1001-1008	SCREW, HEX HD, 1/4-20 UNC X 1/2, SS

5026-SAW



ITEM	QTY.	PART NUMBER	DESCRIPTION
1.1	3	5026-0002	SADDLE, 5026 CALIPER
1.2	2	5026-0003	SPACER, 5026 CALIPER
1.3	2	5027-0004-R	LEVER, RIGHT, 5027
1.4	2	5027-0004-L	LEVER ARM, LEFT, 5026 CALIPER
1.5	2	5026-0060	BRACKET, SIDEWALL MOUNT, 5025/5026
1.6	2	5026-0028	PIVOT PIN, 5026/28 CALIPERS
1.7	5	5026-0124	TIE ROD, SIDE MOUNT CALIPER
1.8	10	1022-0117	NUT, HEX, 3/4-10 UNC, Gr 18-8
1.9	4	1039-0470	PIN, HAIRPIN COTTER, 1/4 X 4-1/4, STEEL
1.10	8	1501-0301	GREASE NIPPLE, 1/4-28
1.11	2	5025-0011	BALANCING LINK, PIVOT END
1.12	2	5024-0026	LINK PIN, 5024 - 5026 CALIPERS
1.13	4	5026-0014	PIVOT BLOCK, OUTER, 5026 CALIPER
1.14	2	5026-0013	PIVOT BLOCK, CENTER, 5026 CALIPER
1.15	2	5026-0027	SHOE PIN, 5026 CALIPER
1.16	4	1039-0352	HITCH PIN, 5/16 X4, STEEL
2	2	5026-LS	SHOE ASSEMBLY, 5/8" K5, 5026 CALIPER
3	2	6230	ACTUATOR, SPRING APP / AIR REL, 120 PSI
4	2	5026-0012	BALANCING LINK, FORK END, 5025 CALIPER
5	8	1002-1220	SCREW, SKT HD, 3/8-16 UNC X 1-1/4, SS
6	8	1002-1420	SCREW, SKT HD, 1/2-13 UNC X 1-1/4, SS
7	4	1002-1010	SCREW, SKT HD, 1/4 UNC X 5/8 LG, 18-8 SS
8	4	1023-0216	FLAT WASHER, 1/4, TYPE B, NARROW
9	4	6230-0010	CLEVIS PIN, 1/2" DIA
10	8	1026-0516	COTTER PIN, 1/8" X 1", SS

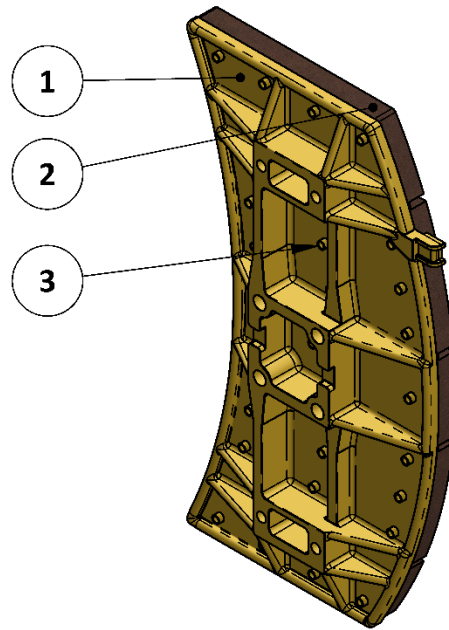
6120 Actuator



ITEM QTY PART NUMBER DESCRIPTION

ITEM	QTY	PART NUMBER	DESCRIPTION
1	2	6120-0003	CENTRE HOUSING, 6120 ACTUATOR
2	2	6120-0002	END CAP, 6120 ACTUATOR
3	2	6120-0004	DIAPHRAGM WASHER, 6120 ACTUATOR
4	2	6120-0001	CLEVIS, 6120 ACTUATOR
5	6	6120-0005	GUIDE PIN, 6120 ACTUATOR
6	6	1022-0211	NUT, JAM, 5/16-18 UNC, SS
7	6	1201-0185	SPRING, COMPRESSION, .830DX.08 WIREX4.43
8	8	1022-0110	NUT, HEX, 1/4-20 UNC, SS
9	8	1001-1056	BOLT, HX HD, 1/4-20 UNC X 3.5", SS
10	1	6120-RK	REPAIR KIT, AIR APPLIED ACTUATOR

5026-LS



ITEM QTY PART NUMBER DESCRIPTION

1	1	5026-0005	SHOE, 5026 CALIPER
2	1	5026-0007-K	LINING, 5/8" K5, 5026 CALIPER
3	29	1033-1007	RIVET, 1/4 X 7/16 (10-7), BRASS



Kobelt Manufacturing Co. Ltd.

8238 129th Street
Surrey, British Columbia,
Canada, V3W 0A6

Sales Tel: +1-604-572-3935

Fax: +1-604-590-8313

Email: sales@kobelt.com

Website: www.kobelt.com

Made in Canada / Printed in Canada