

KOBELT

2047 Control Head

*Owner's Operation, Installation &
Maintenance Manual*



Table of Contents

1	Introduction	4
1.1	Contact	4
1.2	Safety	4
1.2.1	Safety Alerts	4
1.2.2	Notice to Installer	4
1.2.3	Product Hazards	5
2	Product Description	6
2.1	Overview	6
2.2	Technical Data	7
2.3	Model Code Key	8
3	Installation	9
3.1	Receipt	9
3.2	Mechanical	9
3.3	Control Cable	9
3.3.1	Hardware	9
3.3.2	Cable Routing	10
3.3.3	Connection kits	11
3.3.4	Extension kits	12
3.3.5	Control Head Connection	13
3.3.6	Actuator End Connection	14
3.4	Electrical	15
4	Commissioning	16
4.1	Inspection	16
4.2	Functional Test	16
5	Operation	17
6	Maintenance	17
6.1	Preventative Maintenance	17
6.1.1	Lubrication instructions	17
6.2	Inspection	19
6.3	Recommended Spare Parts and Kits	20
6.4	Troubleshooting	20
7	Warranty	21
8	Revision History	22
9	Appendix A: Installation Dimensions	23
10	Appendix B: Parts List	24
11	Appendix C: Cut-out Template	30

1 INTRODUCTION

1.1 CONTACT

Kobelt Manufacturing Co. Ltd.
8238 129th Street
Surrey, British Columbia
Canada, V3W 0A6

Sales Tel: +1-604-572-3935
Fax: +1-604-590-8313
Email: sales@kobelt.com
Website: www.kobelt.com




This document is intended to clearly present comprehensive product data and provide technical information to assist the end user in design applications. Kobelt reserves the right, without notice, to change the design, or construction, of any products and to discontinue or limit distribution of any products. Kobelt also reserves the right to change, or update, without notice, any technical information contained within this document.

Kobelt recommends that customers visit our website to check for updates to this Manual. Once a product has been selected for use, it should be tested by the user to ensure proper function in all possible applications. For further instructions, please contact our distributors or visit our website.

1.2 SAFETY

1.2.1 Safety Alerts

Throughout this manual, the following symbols, and their accompanying explanation, are used to alert the user to special instructions concerning a service or operation that may be hazardous if performed incorrectly or carelessly. The associated risk levels are stated below.

 DANGER	This symbol indicates an imminently hazardous situation which, if not avoided, will result in death or serious injury.
 WARNING	This symbol indicates a potentially hazardous situation which, if not avoided, could result in death or serious injury.
 CAUTION	This symbol indicates a hazardous situation, which if not avoided, could result in minor or moderate injury.
NOTICE	This symbol informs the reader of events not related to personal injury but which there is a risk of damage to property or equipment.
SAFETY INSTRUCTIONS	This symbol informs the reader of safety-related instructions or procedures.


1.2.2 Notice to Installer


Disregarding the following safety measures can result in an accident, causing severe injury to personnel and damage to material assets.

- Only use the product as directed in this manual.
- Never put the product into service if there is evidence of visible damage.
- Never put the product into service before fully completing installation and commissioning.
- Do not carry out any modifications to the product.

- Only use authentic Kobelt spare parts.
- Observe all local regulations, directives and laws during the installation of this product.
- All installation, commissioning, and maintenance work must only be conducted by qualified personnel. (For the purpose of this manual, qualified personnel are persons who are familiar with the assembly, installation, commissioning, and operation of the product and who have the qualifications necessary for their occupation.)
- Observe all specifications in this manual. If these guidelines are not followed and damage occurs, the warranty will be voided.

1.2.3 Product Hazards

 WARNING	Equipment Starts Automatically: Vessel propulsion may activate suddenly while servicing this product, causing bodily harm. Ensure that all power sources are locked out prior to performing work.
--	---

 WARNING	Pinch Points: The 2047 control head contains pinch points, which can cause bodily harm. Ensure that hands and fingers remain clear of the pinch points when performing work.
--	--

2 PRODUCT DESCRIPTION

2.1 OVERVIEW

The Kobelt 2047 push-pull control head features twin-engine control with both the clutch and throttle control integrated into each lever. More specifically, this control head is intended to control two transmissions with lever type shift valves and two engines with lever type throttle control. The control head also features a spring-loaded throttle override which permits running the engine with the clutch disengaged.

The 2047 is available in a combination of black and chrome, all black, or all polished chrome to suit your appearance preference. Accessories, such as neutral safety switch kits or throttle extension kits can be ordered with the units or as after market parts.

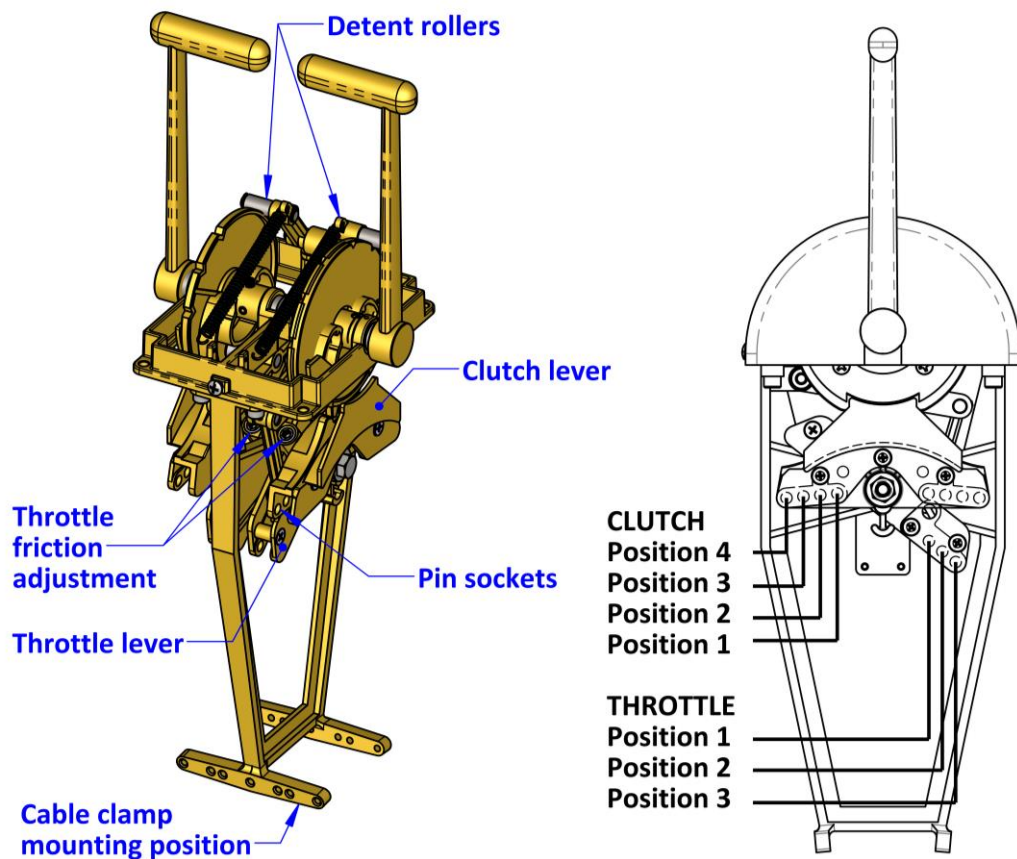


Figure 1: Control Head Overview

2.2 TECHNICAL DATA

Handle Travel:

- Neutral: 0° Detented
- Clutch engage: +/- 30° Detented
- Full throttle: +/- 85° -

Pin Position:	1	2	3	4	5 ⁴	6 ⁴	7 ⁴	8 ⁴
Stroke:								
• Clutch stroke:	±0.63 in [±16 mm]	±0.90 in [±23 mm]	±1.17 in [±30 mm]	±1.45 in [±37 mm]	±2.13 in [±54 mm]	±2.31 in [±59 mm]	±2.50 in [±63 mm]	±2.68 in [±68 mm]
• Throttle stroke:	1.55 in [39 mm]	1.97 in [50 mm]	2.40 in [61 mm]	3.26 ¹ in [83 mm]	N/A	N/A	N/A	N/A
Maximum output force ² :								
• Clutch:	143 lbf [636 N]	104 lbf [463 N]	82 lbf [365 N]	67 lbf [298]	49 lbf [218 N]	45 lbf [200 N]	42 lbf [187 N]	39 lbf [173 N]
• Throttle:	73 lbf [325 N]	59 lbf [262 N]	49 lbf [218 N]	37 ¹ lbf [165 N]	N/A	N/A	N/A	N/A
Lever ratio:								
• Clutch:	4.9:1	3.6:1	2.8:1	2.3:1	1.7:1	1.6:1	1.4:1	1.3:1
• Throttle ³ :	2.5:1	2.0:1	1.7:1	¹ 1.3:1	N/A	N/A	N/A	N/A

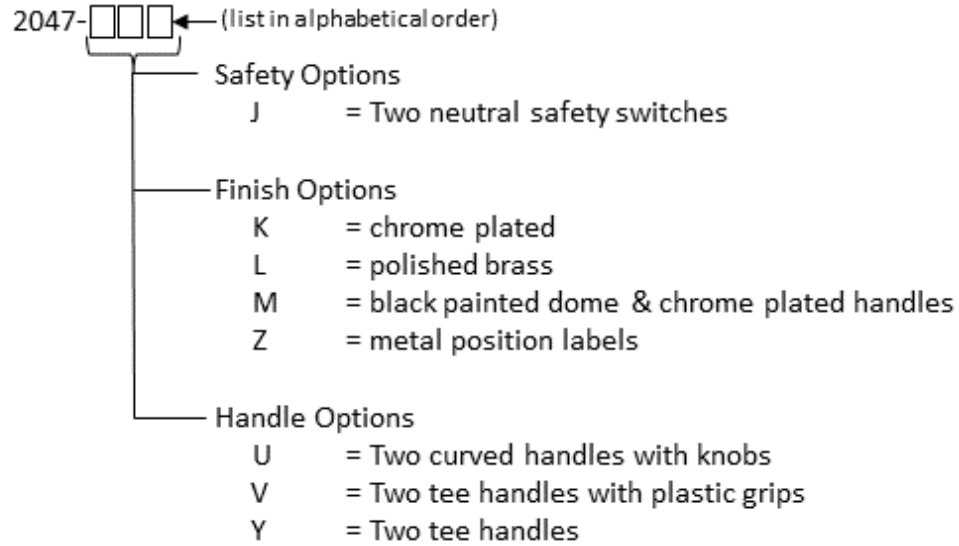
Ambient Temperature: -40°F...+140°F [-40 °C... + 60 °C]

Weight: 12.1 lbs [5.5 kg]

- 1) Requires a **2047-0905** or **2047-0906** extension kit.
- 2) Estimated output force is at end of stroke based on an input for of 29lbf on a "Tee" handle. Output force must not exceed rated cable force.
- 3) At end of stroke, lever ratio increases towards neutral.
- 4) Requires a **2046-0905** or **2046-0906** extension kit.

2.3 MODEL CODE KEY

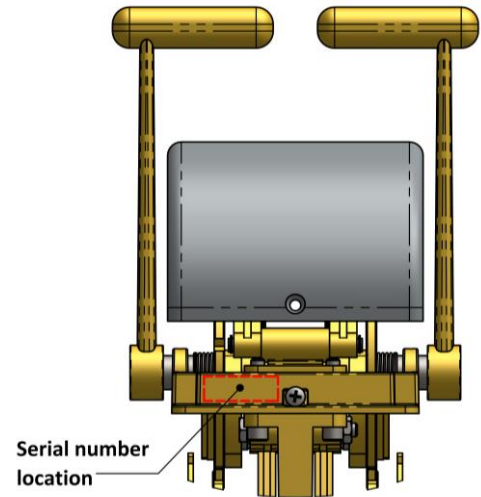
The 2047 control head can be configured in several different ways. Below is a key defining the letter code options:



3 INSTALLATION

3.1 RECEIPT

Kobel offers the 2047 control head in several configurations (reference [section 2.3](#)). Upon receipt of the device ensure that the model number and serial number are noted on the table in page 2 of this manual. The serial number can be found in the location noted at right. This model number will determine what spare parts are applicable.



3.2 MECHANICAL

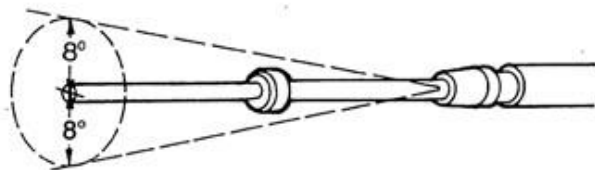
The control head must be mounted on a flat surface strong and stiff enough to withstand the cable forces listed in the [technical section](#) without excessive flexing. Choose a location that has sufficient room for the handles in both extreme positions.

The control head is equipped with (4) four clearance holes for #10 (M5) screws or bolts inserted from underneath for direct mounting to the dash. Ensure the unit is securely fastened, preferable with an anaerobic thread locker such as Loctite 243.

3.3 CONTROL CABLE

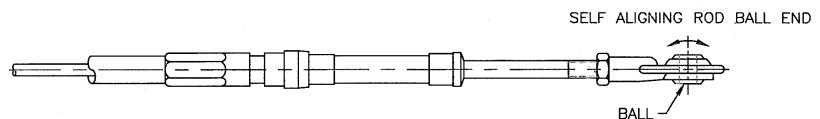
3.3.1 Hardware

The 2047 control head can be used with either 30 series or 40 series control cable. Kobelt Manufacturing does not recommend solid core cables. A solid core cable would consist of a single wire that is too stiff. Multi-stranded cores are more flexible and therefore generates less friction during operation.



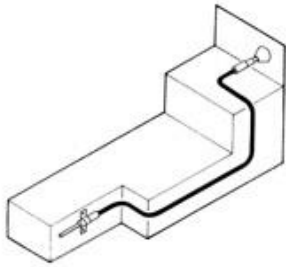
The cable ends must also be able to articulate approximately 8 degrees in either direction.

For terminating the cables Kobelt recommends a ball rod end. Rod ends are self-aligning and therefore minimize friction and binding.



When installing hardware to the cable end, do not twist the core. If required, use a pair of pliers to hold the cable core from turning while installing the terminating hardware.

When gripping the cable end, apply the pliers immediately under the threads and take care not to score the cable rod. A scored cable rod will damage the cable seal allowing moisture and dirt to enter the casing.



3.3.2 Cable Routing

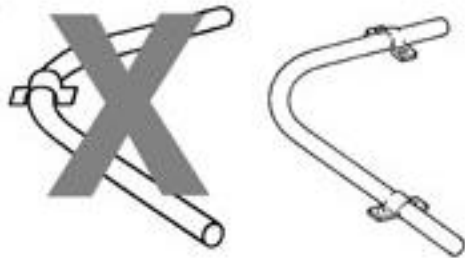
Measure the cable along the path it will take from where the cable hubs will be anchored at each end. Follow the actual cable path as closely as possible, allowing for the largest practical bend radii.

Do not force the cable into tighter bends than what is listed in the table at right:

<i>Optimum Life Bend Radii</i>	
Cable Size	Minimum Bend Radii
30 series	3 inches ¹ [76 mm]
40 series	4 inches [127 mm]

1) Solid core cables will require 6 in [152 mm] minimum bend radius.

It is important to securely anchor the cable hubs. Any free-play in the cable clamp or mounting bracket will be perceived as lost motion or “sponginess” and will reduce the detent feel.



When securing the cable with clamps, it is recommended practice to position two clamps at the ends of the bend rather than one in the middle.

When installing a push-pull cable, do not kink the cable since this will permanently damage the core and casing, rendering the cable stiff and inoperable. Even minor kinks will result in premature failure.

It should also be noted to avoid routing the cable near sources of heat, such as exhaust pipes or cold, such as refrigerated fish holds.

3.3.3 Connection kits

To install the 2047 push/pull control head, the appropriate connection kit must be purchased. Consult Table 1 for the correct kit. Refer to Table 2 and the figure below for installing the connection kit components. Refer to section 3.3.5 for proper cable setting. Full parts lists for the connection kits are available in Appendix B: Parts List.

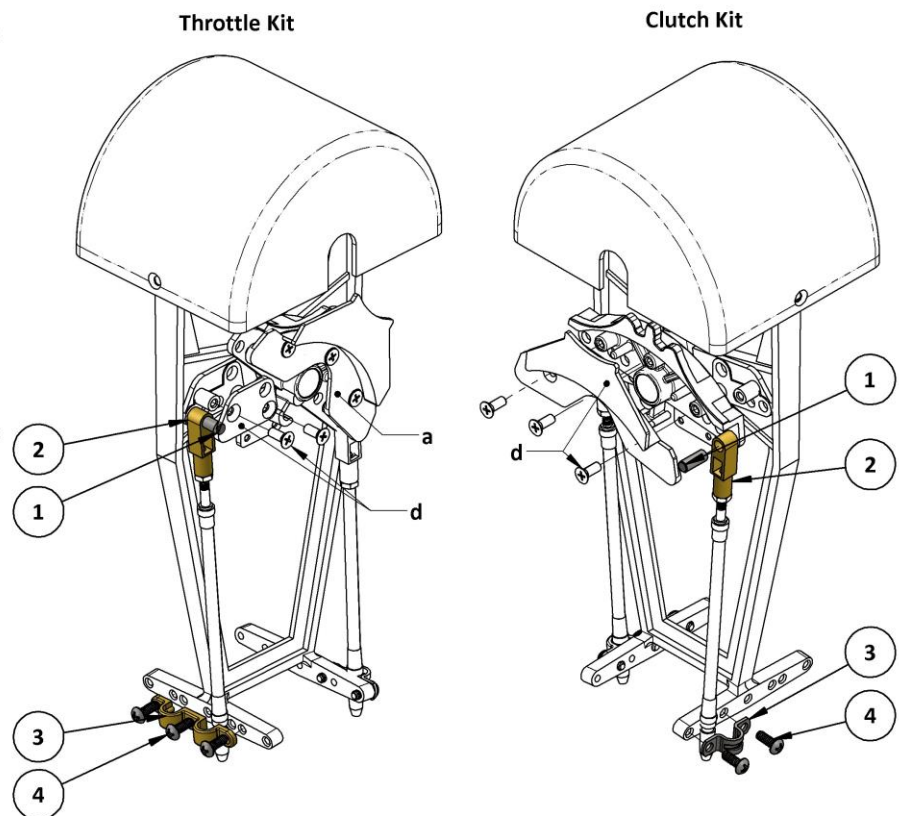
Table 1: Connection Kits

Use Case	Kit Number
Clutch – 30 series cable	2047-0901C
Clutch – 40 series cable	2047-0902C
Throttle – 30 series cable	2047-0901T
Throttle – 40 series cable	2047-0902T

Table 2: Connection kit bill of materials

Item	Description
1	Pin
2	Rod eye
3	Cable Clamp
4	Screw

- (Throttle only) Position the control head handle so the clutch head lever is away from the throttle retainer plate screws.
- Install cable clamp (3) using the screws (4) provided.
- Attach the rod eye (2) to the end of the cable.
- Loosen the retainer screws to allow the connection pin (1) to be installed.
- Adjust the position of the rod eye to achieve the desired cable length. Refer to section 3.3.5.
- Insert the pin (1) into the hole of the rod eye (2).
- Insert the pin (1) with the rod eye (2) inbetween the retainer and throttle plate.
- Tighten the retainer screws and the rodeye nut.
- Check the cable movement and position (Refer to section 3.3.5).



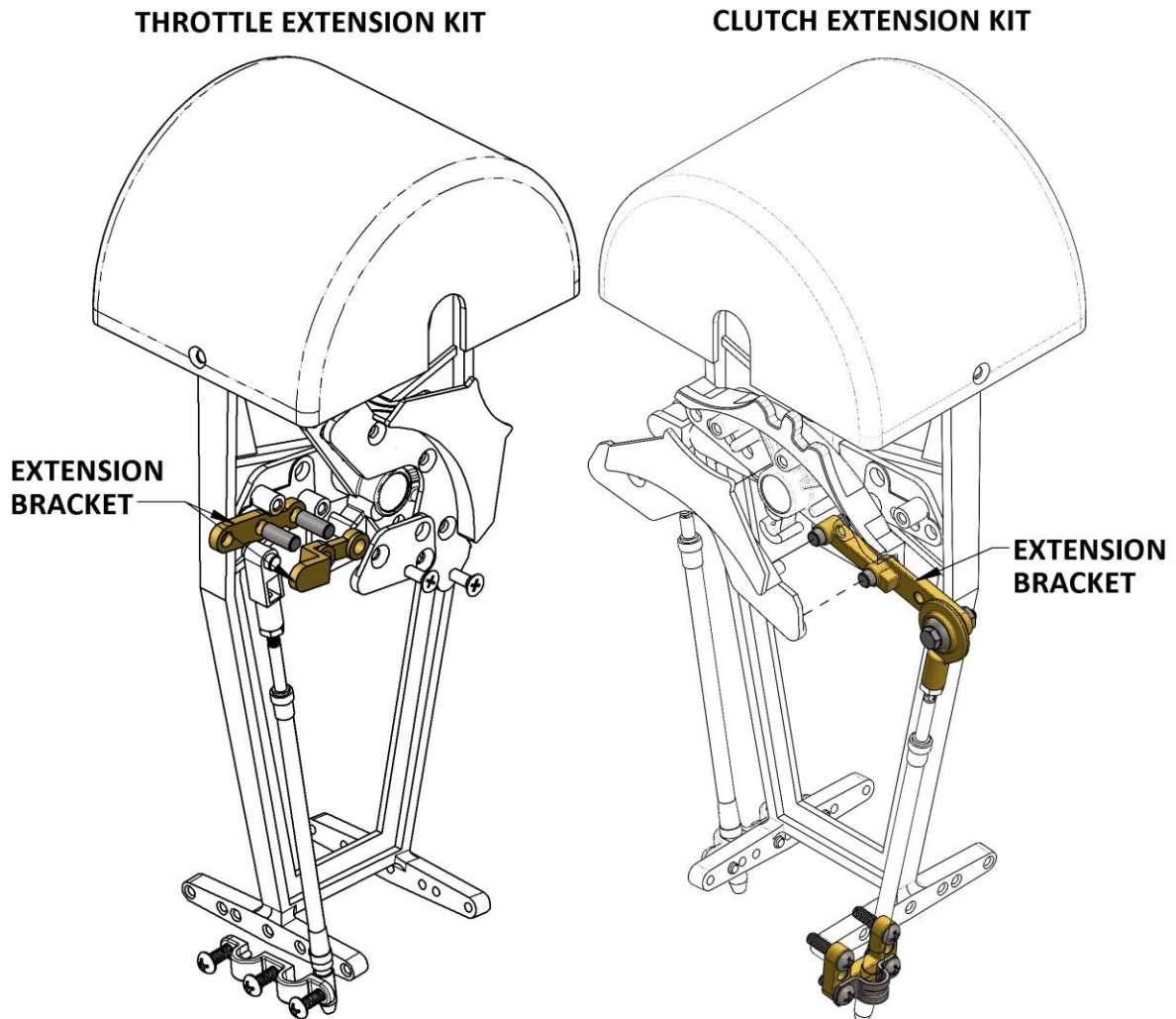
3.3.4 Extension kits

Clutch and throttle extension kits are also available for equipment that require more than the standard stroke output. Consult the Table 3 for the correct kit part number. Complete parts lists are available in Appendix B: Parts List.

Table 3: Extension Kits

Use Case	Kit Number
Clutch - 30 series cable	2046-0905
Clutch - 40 series cable	2046-0906
Throttle - 30 series cable	2047-0905
Throttle - 40 series cable	2047-0906

To install the extension kits, follow the instructions given in section 3.3.3 for connection kit installation. The extension brackets take the place of the rod eyes in between the retainer plates. The rod eyes are then placed on the appropriate hole on the extension bracket as shown in the figure below.



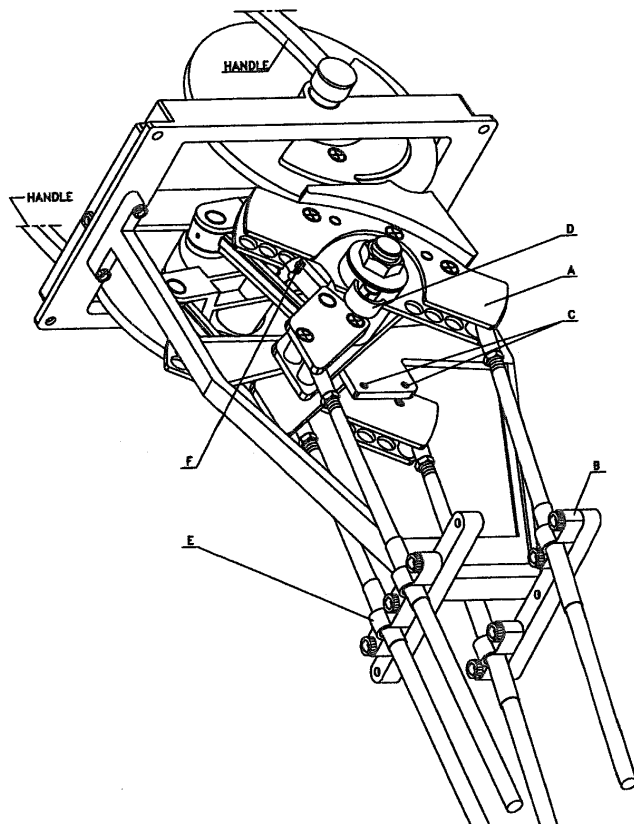
3.3.5 Control Head Connection

The 2047 control head has a lever mechanism for actuating the clutch and the throttle that permits the cable to be installed in either push or pull.

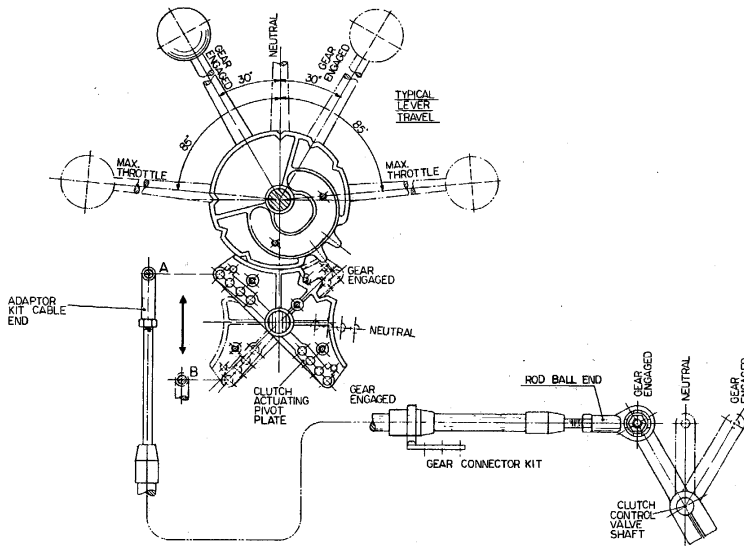
In some marine applications with twin engines, both engines are turning in the same direction and therefore one gear box is running in the reverse to drive the propeller ahead. In this particular installation the shift cable must be connected on the opposite side of the support bracket and cam to provide the proper push and pull mode for either gear.

The clutch valve mechanism on most marine transmissions requires approximately 2¼" (70 mm) to 3" (76 mm) of travel. Consequently, the cable must be attached on the clutch lever, item "A", in the outermost hole of the support bracket (pin position 4). If the control head has insufficient stroke to properly operate the engines, then extension kits may be purchased from Kobelt Manufacturing.

To correctly install the clutch control cables, follow the steps below:



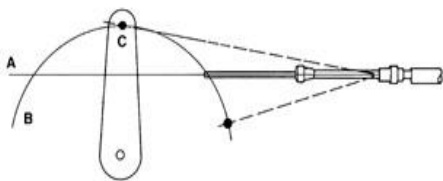
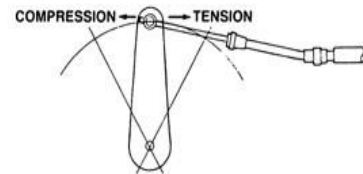
1. Secure the cables to the support bracket with the appropriate cable clamps.
2. As illustrated in the diagram below, move the control handles to the extreme forward position.
3. Ensure that the cable end extends slightly past the clutch lever attachment point (position A).
4. Move the control handles to the extreme aft position.
5. Ensure that the cable end, when in push mode, extends beyond the cable attachment point (position B).
6. If the cable end points from one extreme to the other are unequal, then the cable end fitting must be threaded out or in to correct.
7. Repeat steps 2 to 6
8. After the proper position is found, the cable end is attached to the clutch actuating pivot plate and the jam nut tightened.
9. The final step is to test that the clutch control valve goes from neutral to both forward and then reverse gear engaged positions without bottoming. A slight amount of end play is essential.



The throttle cable is installed in the same manner. In order to obtain full handle travel in the speed range, it is important to select the appropriate connection point for the adaptor kit on the throttle pivot plate.

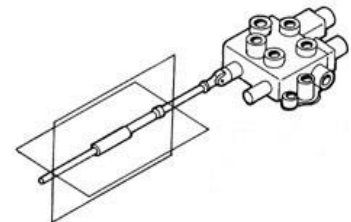
3.3.6 Actuator End Connection

When connecting the actuating end of the cable to the throttle or clutch lever, install the cable so that the greatest loads are in tension (pulling) rather than compression (pushing), if possible.



Where the cable is connected to a lever, the cable must be mounted so that it lies on a plane (A) midway on the arc (B) described by the movement of the connection point on the lever (C).

When connecting the actuating end of the cable to a spool valve such as the Kobelt 4605 servo cylinder, maximum cable life and efficiency is achieved when the cable is aligned with the lever in two planes. Reference the figure at right:



3.4 ELECTRICAL

The 2047 control head is available with optional neutral safety switches (part number **2047-0903**). The switch attaches to the mounting holes, as illustrated as item "C" and is operated by cam "D".

The switch is prewired with a 1 foot [305 mm] long 18 AWG wire for external connection. Connect it to an electrical junction box and the propulsion system interface.

The product's 3C/18 electrical cable contains the following wires and related functions:

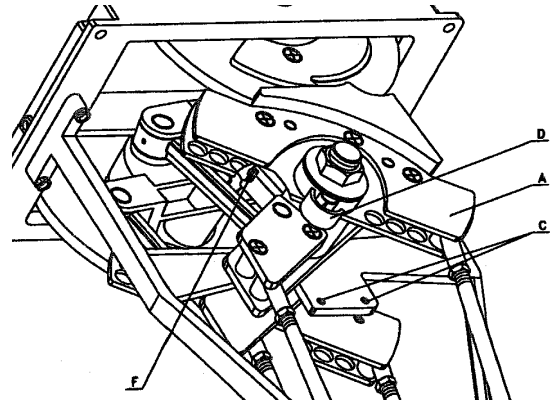


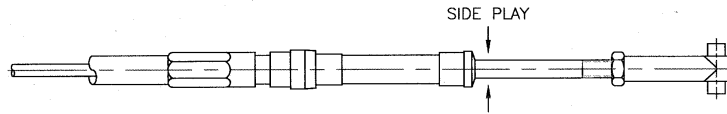
Table 4: 2047 Wire Connections

2047-0903				
Wire #	Wire Name	Colour	Gauge	Function
1	N.O.	RED	18AWG	Connects to COM when Switch is activated to signal neutral position.
2	COM	Black	18AWG	COM connection.

4 COMMISSIONING

4.1 INSPECTION

Before putting the control head into operation, check the cable connections at each end to ensure that there is side clearance between the sleeve and the core rod and no misalignment at either the clamp or the control head which will make the cable stiff.



It is possible that a cable end may become bent either in transit or during installation. If this has occurred the cable must be replaced as it will bind between the core rod and the sleeve.

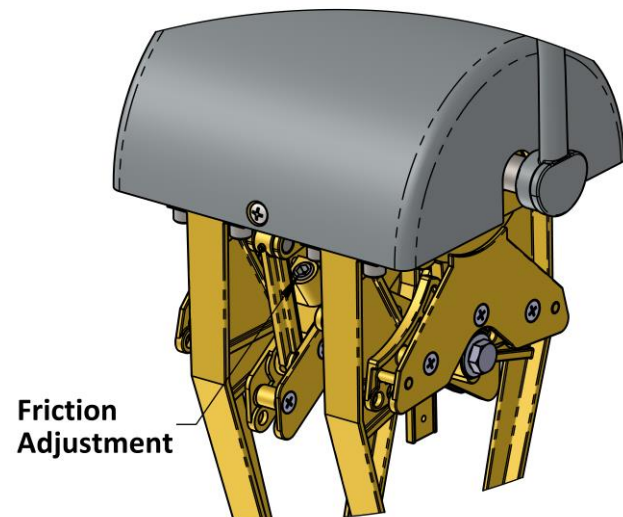


4.2 FUNCTIONAL TEST

After installation, test that the clutch control valve goes from neutral to both forward and then reverse gear engaged positions without bottoming. A slight amount of end play is essential.

Also ensure that full speed range is obtained with full handle travel.

Ensure that the throttle friction adjustment is adequate to hold the throttle position. Adjust if necessary.

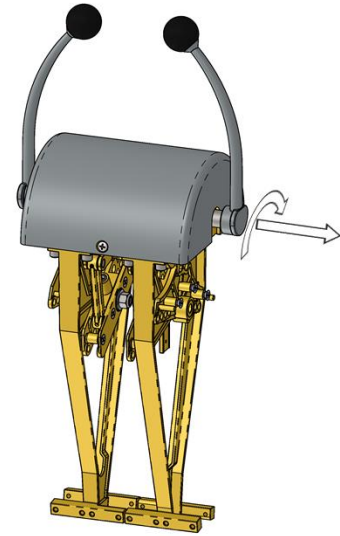


CAUTION

Do not put the vessel into service until the control head has been tested. The Functional Test should be carried out while the vessel is still at dock.

5 OPERATION

The Kobelt 2047 is equipped with a clutch bypass to permit operating the throttle without engaging the transmission into gear. To operate this feature, pull the handle outwards while in the neutral position and then operate the lever to the desired throttle position.



6 MAINTENANCE



6.1 PREVENTATIVE MAINTENANCE

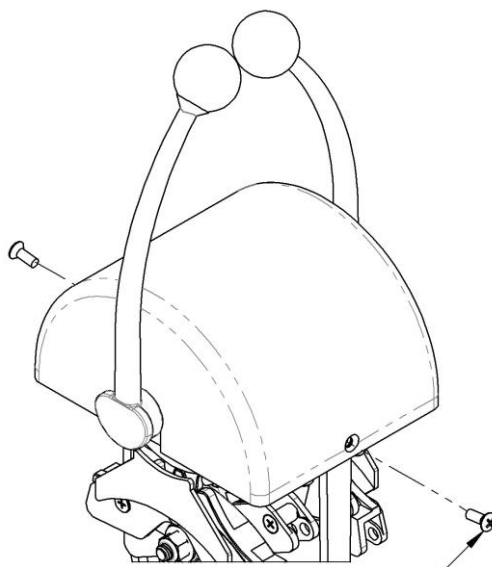
- Quarterly (4 times per year)
 - Ensure that the throttle friction adjustment is adequate.
- Every 2 years
 - Inspect cable for wear
 - Lubricate the cam detent track, bearing journals and gear teeth. Refer to section 6.1.1 for lubricating details.
 - Inspect throttle & clutch bushings for wear

6.1.1 Lubrication instructions

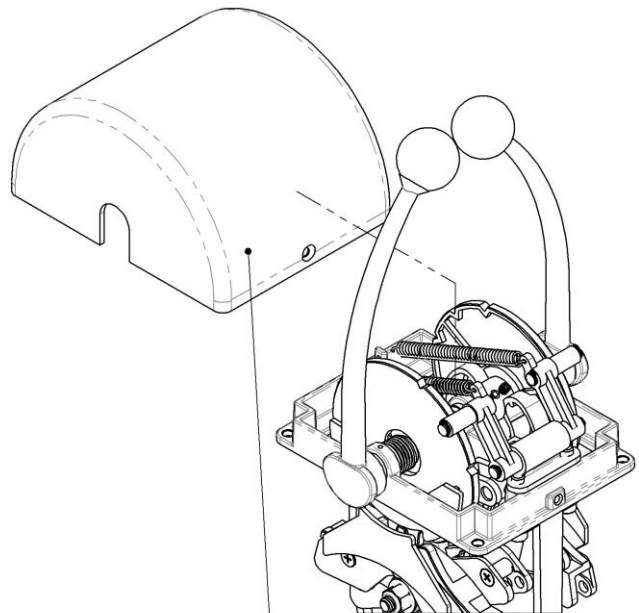
Follow the figures below to access and lubricate the bearing journals and detent tracks. Refer to Table 5 for recommended lubricants.

Table 5: Recommended Lubricants

Lubricant	Description	Grade
Oil 	Valvoline gear oil	75w80 HD GL-4
	Motul Transmission oil	80w-90 GL-4/GL-5
Grease 	Phillips 66 Megaplex XD3 (Grease)	NLGI-2
	Straplex HD 2 M5 (Grease)	NLGI-2

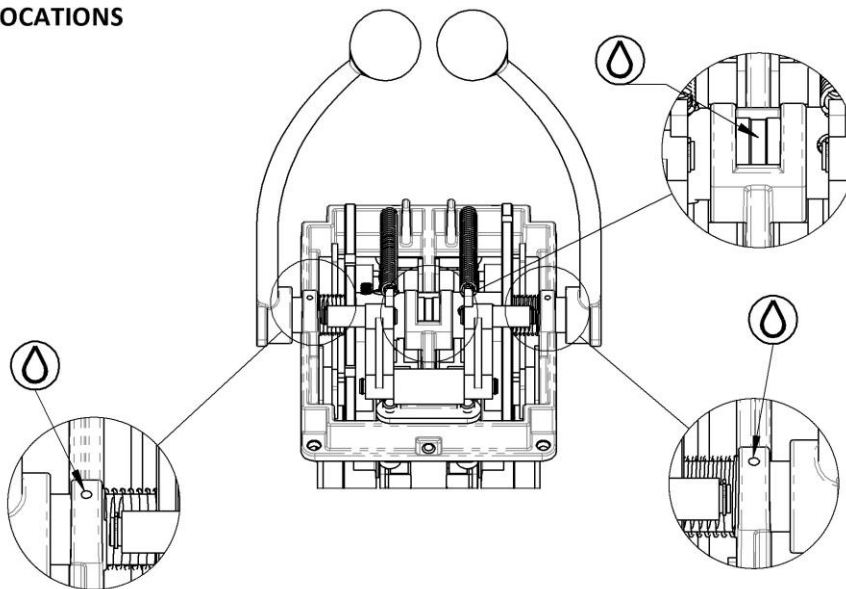


1. REMOVE DOME SCREWS

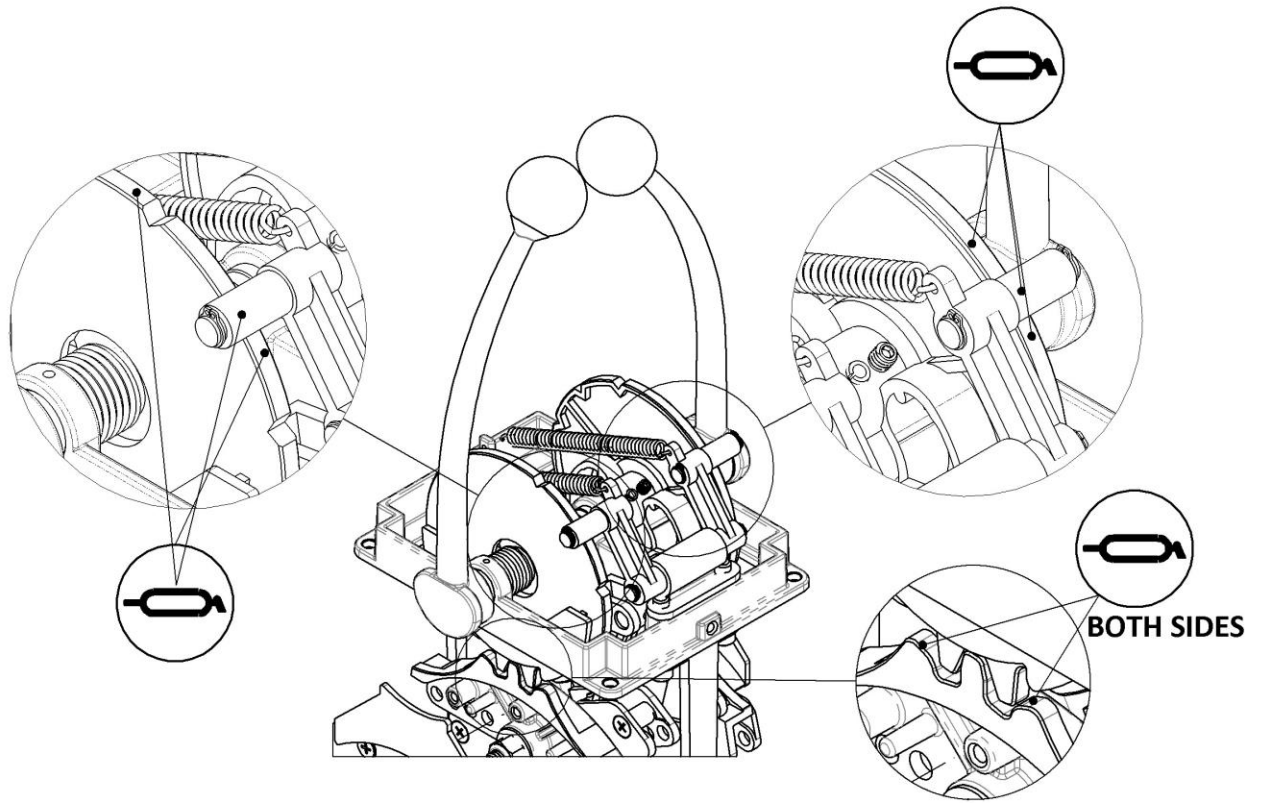


2. REMOVE DOME

3. APPLY OIL AT INDICATED LOCATIONS

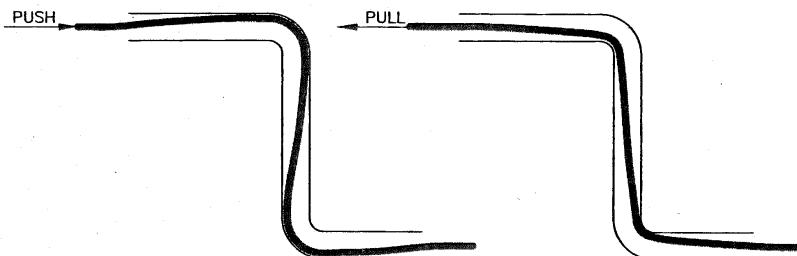


4. APPLY GREASE TO DETENT TRACK, ROLLER AND GEAR TEETH



6.2 INSPECTION

When a cable core is pushed, it will take the longest route and, conversely, when pulled, it will take the shortest route. This appears as 'lost motion' at the actuation end. The cable stroke must be measured periodically to confirm adequate stroke.



6.3 RECOMMENDED SPARE PARTS AND KITS

The spare parts kept on hand will depend on the severity of the service. The User should monitor the condition of their control head to predict necessary spare parts and ensure they are on hand when needed.

When purchasing spare parts refer to Appendix B: Parts List at the back of this manual for Kobelt component Part Numbers.

NOTICE	It is recommended that any required service work on a Kobelt unit be performed by a factory authorized service representative. Please contact the nearest Kobelt authorized distributor for assistance.
---------------	---

6.4 TROUBLESHOOTING

If you encounter problems with the operation of your product, please refer to the trouble-shooting suggestions before contacting Kobelt for assistance. If the steps below do not resolve your issue, please reach out either Kobelt directly or our Dealers in your area.

Table 6: Common Solutions

Problem (Issue encountered)	Cause (What it means)	Corrective Action (What to do)
Full throttle not achieved	Lost motion in the cable – cable worn Lost motion in the cable – cable not clamped	1. Replace cable. 2. Clamp cable per manufacturer's recommended practice.
Controls stiff to operate	1. Wrong cable installed. 2. Cable has been kinked. 3. Cable operating below minimum allowable temperature.	1. Replace cable with flexible core type cable. 2. Replace cable. 3. Ensure cable does not run through a fish hold.

7 WARRANTY

Kobel Manufacturing Co. Ltd. (“Kobel”) warrants the Products and Parts manufactured by Kobel to be free from defects in workmanship or material and that said products are designed mechanically and functionally to perform to specifications.

This warranty is effective providing:

- The equipment is used within the intended operating conditions and in accordance with Kobel recommendations
- The equipment is installed according to equipment diagrams, specifications and recommendations which Kobel has provided

This warranty becomes invalid if the factory supplied serial number has been removed or altered on the product. This warranty does not cover cosmetic damage or damage caused by an act of God, accident, misuse, abuse, negligence or modification of any part of the product. This warranty does not cover damage due to improper operation or maintenance, connection to inappropriate equipment or attempted repair by anyone other than an authorized Kobel representative.

Upon identification of a potential issue or defect with a Kobel Product or Part, the Warranty Applicant (“Applicant”) must immediately contact Kobel and describe the issue in writing, by letter, fax, email or other electronic conveyance. Kobel will then assess the cause of the defect and determine warranty applicability and appropriate remediation.

If any part is found to be defective, Kobel will replace said part FOB the Kobel factory provided that any such defective part is returned by the Buyer with freight and applicable forwarding charges prepaid by the Buyer. Kobel’s sole obligation to the Applicant will be to repair or replace the defective part with same or similar product, to a maximum value of the list price of the product or part. The Kobel warranty does not cover labour charges, travel or any other associated expenses.

All Products and Parts manufactured by Kobel, are subject to a warranty against manufacturer’s defects in materials or workmanship for a period of two (2) years from the date of purchase.

Kobel will be responsible for all Products or Parts sold by Kobel but manufactured by 3rd party manufacturing companies. However, these products and parts are subject to applicable 3rd party warranties and may not be the same as the Kobel warranty.

8 REVISION HISTORY

Table 7: Manual revision history

Document Revision	Release Date	ECN	Author	Revision Summary
B	23/08/2024	01073	GG	<ul style="list-style-type: none"> Section 2.2; Updated technical data, to match datasheet. Added stroke and output force for clutch extension positions. Added maintenance details, section 6.1.1 Separated connection and extension kit depictions, section 3.3 Corrected kit part numbers, section 3.4 Added connection and extension kit parts list to Appendix B
A	-	-	-	<ul style="list-style-type: none"> Initial publication

9 APPENDIX A: INSTALLATION DIMENSIONS

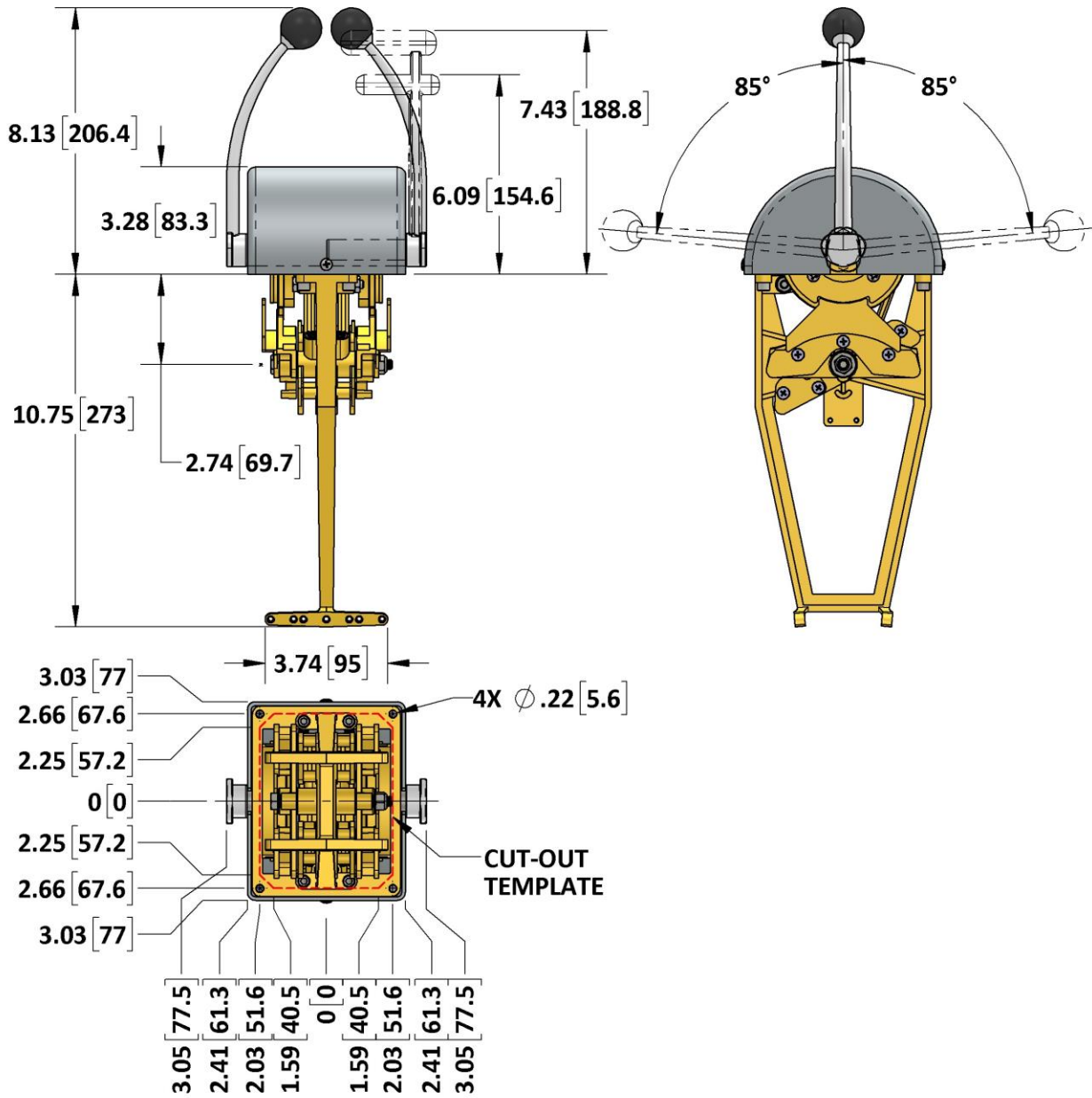
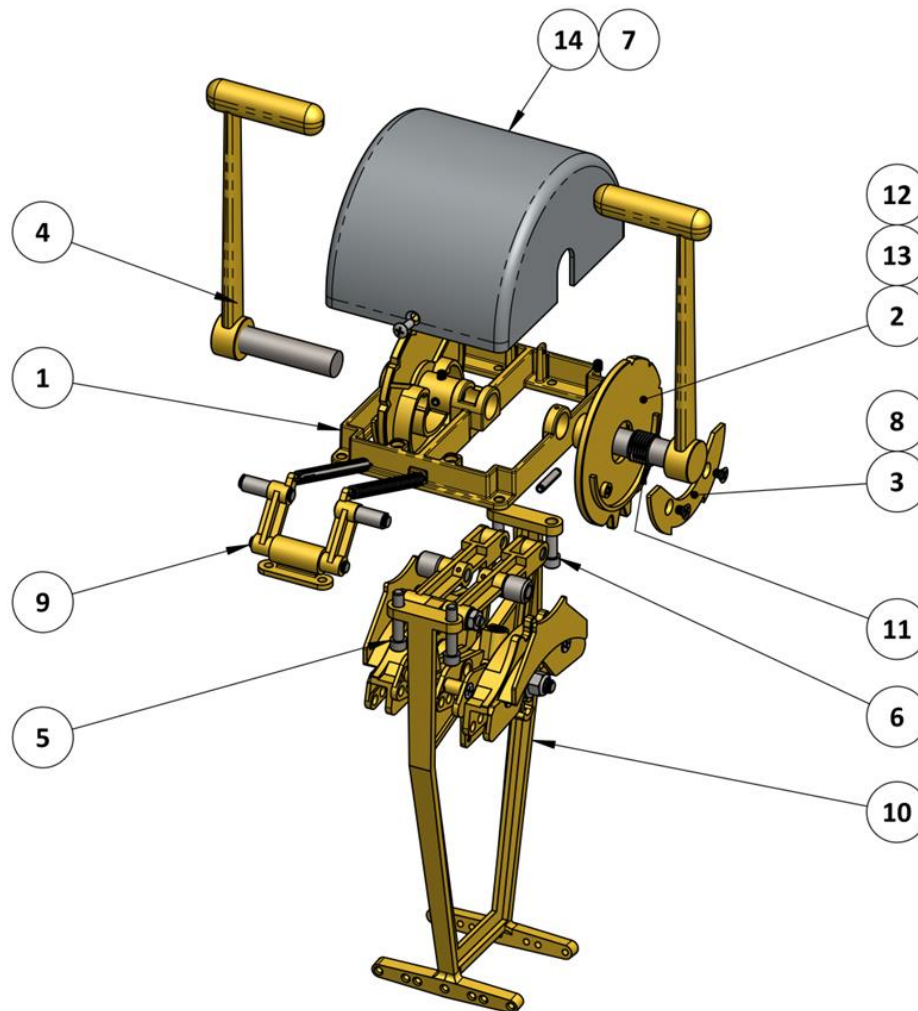


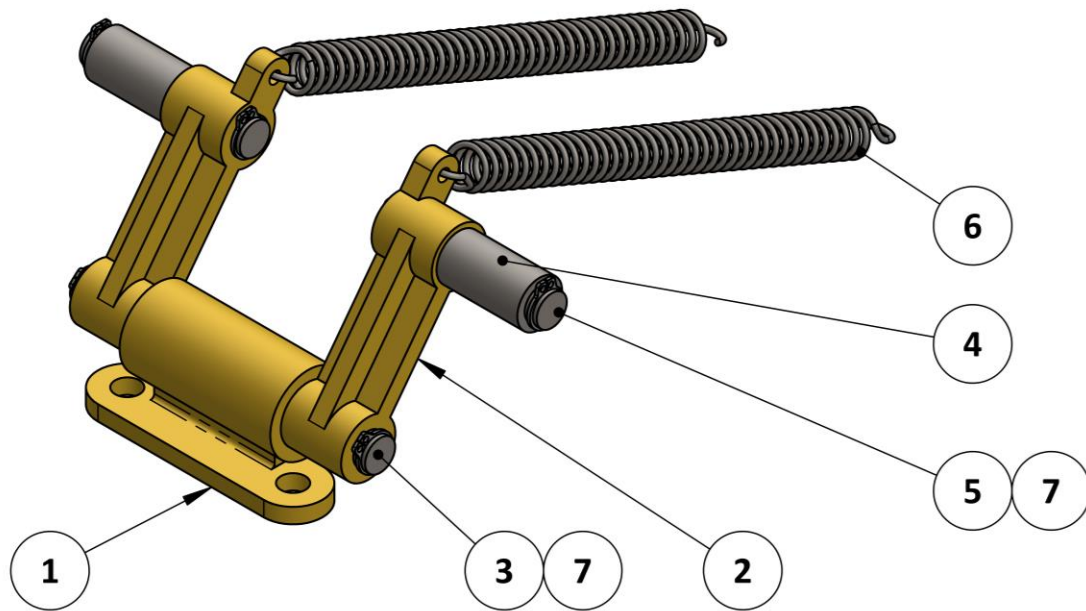
Figure 18: 2047 Installation Dimensions

10 APPENDIX B: PARTS LIST



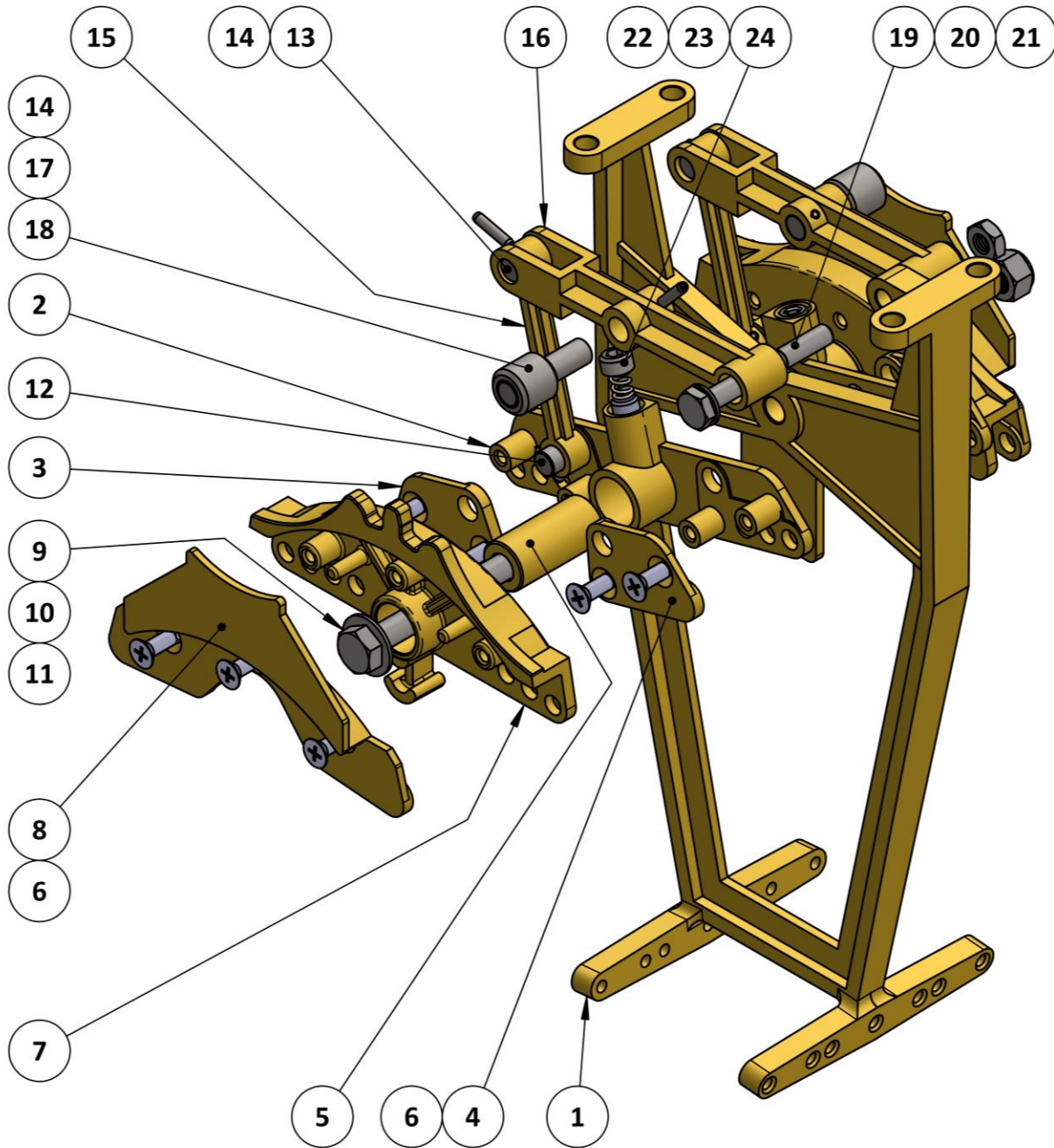
ITEM	QTY.	PART NUMBER	DESCRIPTION
1	1	2047-0001	FRAME
2	2	2047-0004-L	CAM, LEFT
3	2	2046-0011	CAM RETAINER
4	2	2047-0014-K	HANDLE - CHROME FINISH
5	2	1002-1020	CAP SCREW, SKT HD, 1/4-20 X 1-1/4, 18-8
6	2	1002-1010	SCREW, SKT HD CAP, 1/4-20 X 5/8, 18-8 SS
7	2	1011-0808	SCREW, OVAL HD, PHL, 10-24 X 1/2, 18-8
8	4	1009-0804	SCREW, FL HD PHILLIPS, 10-24 X 1/4, 18-8
9	1	2047-1000	DETENT SUB-ASSEMBLY
10	1	2047-2000	FRAME SUB-ASSEMBLY
11	2	1201-0204	SPRING, THROTTLE OVERRIDE
12	2	1016-0804	SET SCREW - SKT HD CUP PT; #10-24 X 1/4 LG / 18-8
13	2	1024-0814	SPRING PIN; 3/16 DIA X 7/8 LG, AISI 420
14	1	2047-0002-K	DOMES - CHROME PLATED

2047-1000 Detent Roller Sub-Assembly



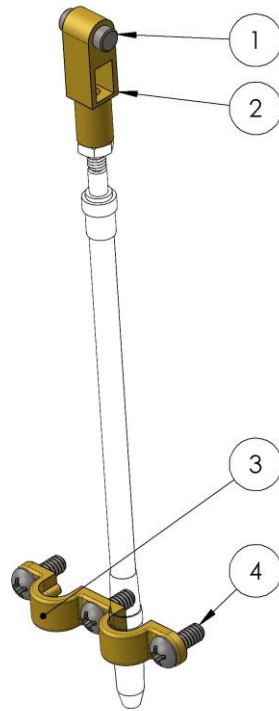
ITEM	QTY.	PART NUMBER	DESCRIPTION
1	1	2047-0012	PIVOT BLOCK; DETENT ASSEMBLY
2	2	2047-0013	ROLLER LEVER; DETENT ASSEMBLY
3	1	2047-0017	PIVOT PIN; 1/4 DIA X 2.32 GRIP / SNAP RING
4	2	2047-0015	DETENT ROLLER
5	2	2047-0018	PIVOT PIN; 1/4 DIA X 1.20 GRIP / SNAP RING
6	2	1202-0002	SPRING, EXTENSION, .31OD X .04 WIRE, SS
7	6	1029-1025	RETAINING RING, EXTERNAL, 1/4IN, 3100S

2047-2000 Clutch & Throttle Lever Sub-Assembly



ITEM	QTY.	PART NUMBER	DESCRIPTION
1	1	2047-0003	SUPPORT, 2047 CONTROL HEAD
2	2	2047-0008	THROTTLE LEVER
3	2	2047-0007-R	RETAINER PLATE - RIGHT; THROTTLE LEVER
4	2	2047-0007-L	RETAINER PLATE - LEFT; THROTTLE LEVER
5	2	2047-0016	CAM BEARING
6	14	1009-0808	SCREW, FLAT HD, PHILLIPS, 10-24 X 1/2, 18-8
7	2	2047-0005	CLUTCH LEVER
8	2	2047-0006	RETAINER PLATE - CLUTCH LEVER
9	1	1001-1156	SCREW, CAP, HX HD, 5/16-18 x 3.5L, SS
10	2	1023-0237	FLAT WASHER; 5/16, 18-8
11	1	1022-0311	NUT, NYLOK, 5/16-18 UNC, 18-8
12	1	2047-0020	PIVOT PIN
13	2	2047-0019	PIVOT PIN
14	6	1024-0509	SPRING PIN, 1/8 X 9/16, AISI 420
15	2	2047-0010	THROTTLE LINK
16	2	2047-0009	CAM FOLLOWER
17	2	2046-0023	LINK SOLID PIN
18	2	2046-0027	THROTTLE ROLLER
19	1	1001-1032	SCREW, HX HD, 1/4 UNC X 2, 18-8
20	2	1023-0210	WASHER, FLAT, .270IN ID x 1/2IN OD x 1/32IN THK, 18-8 SS
21	1	1022-0210	NUT JAM 1/4-20 SS
22	2	2542-0008	FRICTION PLUG
23	2	1201-0002	COMPRESSION SPRING; 1/4 DIA X 3/8 LG
24	2	1016-1204	SET SCREW - SKT; CP PT, 3/8 UNC X 1/4, 18-8

2047-090XT THROTTLE CONNECTION KITS



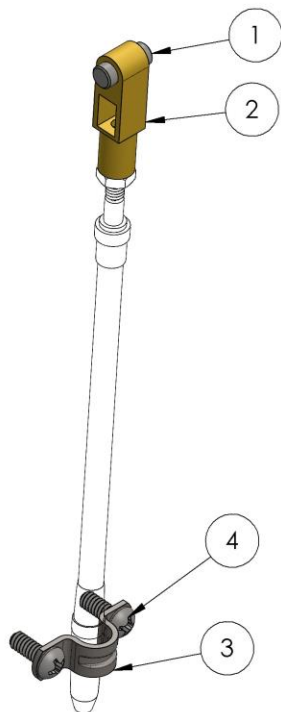
2047-0901T: 30 SERIES THROTTLE CONNECTION KIT

ITEM	QTY.	PART NUMBER	DESCRIPTION
1	2	1037-0410	PIN, 1/4 DIA X 5/8 LG
2	2	2105-0001	ROD EYE - 30 SERIES; #10 UNF X 1/4 PIN
3	1	2108-0005	CABLE CLAMP, 3 SERIES FELSTED
4	3	1010-0808	SCREW, RND HD PHIL, #10-24 X 1/2, 18-8 SS

2047-0902T: 40 SERIES THROTTLE CONNECTION KIT

ITEM	QTY.	PART NUMBER	DESCRIPTION
1	2	1037-0410	PIN, 1/4 DIA X 5/8 LG
2	2	2105-0002	ROD EYE - 40 SERIES; 1/4IN UNF X 1/4 PIN
3	1	2108-0006	CLAMP: 40 SERIES (2047)
4	3	1010-0812	SCREW, RND HD PHILIPS MS, #10-24 X 3/4, 18-8

2047-090XC CLUTCH CONNECTION KITS



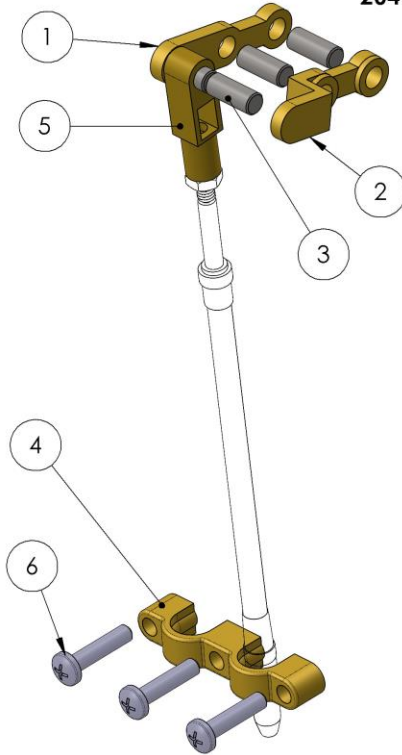
2047-0901C: 30 SERIES CLUTCH CONNECTION KIT

ITEM	QTY.	PART NUMBER	DESCRIPTION
1	2	1037-0410	PIN, 1/4 DIA X 5/8 LG
2	2	2105-0001	ROD EYE - 30 SERIES; #10 UNF X 1/4 PIN
3	2	2108-0030	CLAMP, 30-SERIES CABLE
4	4	1010-0808	SCREW, RND HD PHIL, #10-24 X 1/2, 18-8 SS

2047-0902C: 40 SERIES CLUTCH CONNECTION KIT

ITEM	QTY.	PART NUMBER	DESCRIPTION
1	2	1037-0410	PIN, 1/4 DIA X 5/8 LG
2	2	2105-0002	ROD EYE - 40 SERIES; 1/4IN UNF X 1/4 PIN
3	2	2108-0040	CABLE CLAMP, 40 SERIES
4	4	1002-0812	SCREW, CAP, SKT HD, #10-24 X 3/4, SS

2047-090X THROTTLE EXTENSION KITS



2047-0905: 30 SERIES THROTTLE EXTENSION KIT

ITEM	QTY.	PART NUMBER	DESCRIPTION
1	2	2047-0026	THROTTLE EXTENSION BRACKET; 2047
2	2	2047-0025	THROTTLE EXTENSION ARM; 2047
3	4	1037-0410	PIN, 1/4 DIA X 5/8 LG

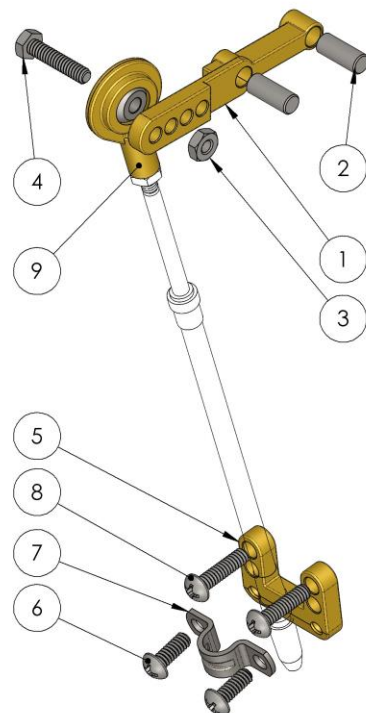
*ITEMS 4-6 MUST BE ORDERED SEPARATELY IN A 2047-0901T CONNECTION KIT

2047-0906: 40 SERIES THROTTLE EXTENSION KIT

ITEM	QTY.	PART NUMBER	DESCRIPTION
1	2	2047-0026	THROTTLE EXTENSION BRACKET; 2047
2	2	2047-0025	THROTTLE EXTENSION ARM; 2047
3	6	1037-0410	PIN, 1/4 DIA X 5/8 LG
4	1	2108-0006	CLAMP; 40 SERIES DOUBLE(2047)
5	2	2105-0002	ROD EYE - 40 SERIES; 1/4IN UNF X 1/4 PIN
6	3	1012-0814	SCREW, PAN HD, PHILLIPS, #10-24 UNC X 7/8 LG, 18-8

2046-090X: THROTTLE*/CLUTCH EXTENSION KIT

*2047 CONTROL HEADS USE ONLY FOR CLUTCH EXTENSION



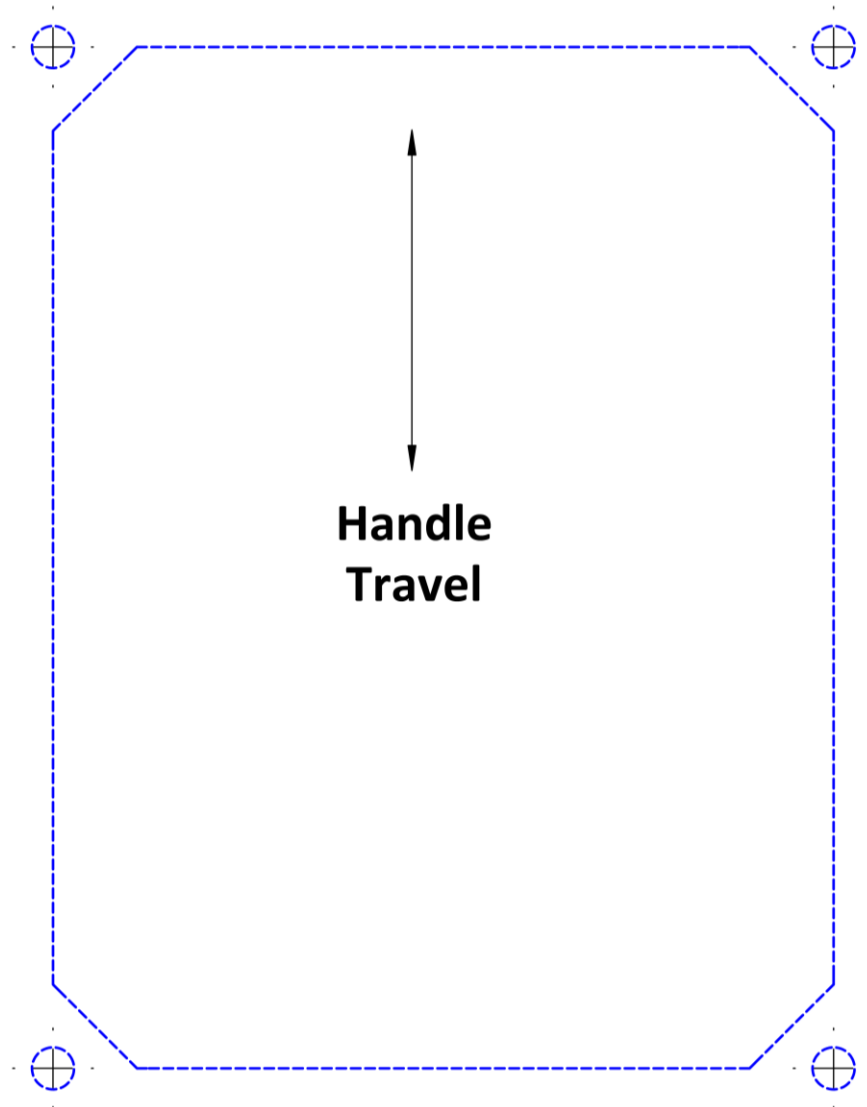
2046-0905: 30 SERIES THROTTLE/CLUTCH EXTENSION KIT

ITEM	QTY.	PART NUMBER	DESCRIPTION
1	1	2046-0031	THROTTLE EXTENSION
2	2	1037-0410	PIN, 1/4 DIA X 5/8 LG
3	1	1022-0108	NUT, HEX, #10-24, 18-8 SS
4	1	1001-0814	SCREW, HX HD, #10-24 X 7/8, 18-8 SS
5	1	2046-0030	EXTENSION KIT CLAMP BRACKET
6	2	1010-0808	SCREW, RND HD PHIL, #10-24 X 1/2, 18-8 SS
7	1	2108-0030	CLAMP, 30-SERIES CABLE
8	2	1010-0812	SCREW, RND HD PHILIPS MS, #10-24 X 3/4, 18-8
9	1	2143	ROD BALL END, #10 UNF X 3/16 PIN

2046-0906: 40 SERIES THROTTLE/CLUTCH EXTENSION KIT

ITEM	QTY.	PART NUMBER	DESCRIPTION
1	1	2046-0031	THROTTLE EXTENSION
2	2	1037-0410	PIN, 1/4 DIA X 5/8 LG
3	1	1022-0108	NUT, HEX, #10-24, 18-8 SS
4	1	1001-0814	SCREW, HX HD, #10-24 X 7/8, 18-8 SS
5	1	2046-0030	EXTENSION KIT CLAMP BRACKET
6	2	1002-0806	SCREW, SKT HEAD, 10-24 X 3/8, 18-8 SS, ASTM F837
7	1	2108-0040	CABLE CLAMP, 40 SERIES
8	2	1010-0812	SCREW, RND HD PHILIPS MS, #10-24 X 3/4, 18-8
9	1	2144-3	ROD BALL END, 1/4 UNF X 3/16 PIN

11 APPENDIX C: CUT-OUT TEMPLATE

**NOTICE**

Scale may not be exactly 1:1 due to PDF and printer scaling. Verify primary dimension with a ruler after printing and before using to cut.

Reference Appendix A: Installation Dimensions, for the cut-out dimensions.

This page intentionally blank

KOBELT

Kobelt Manufacturing Co. Ltd.

8238 129th Street
Surrey, British Columbia,
Canada, V3W 0A6

Sales Tel: +1-604-572-3935

Fax: +1-604-590-8313

Email: sales@kobelt.com

Website: www.kobelt.com

Made in Canada / Printed in Canada