

2003

PUSH-PULL CONTROL



Putting You In Control.

Manufactured for the marine environment the Kobelt 2003 push-pull control is the rugged solution for your vessel. The 2003 has a single handle that can be configured for single function applications. With a wide array of options to choose from, Kobelt has the product to meet your propulsion control needs.

Specifications

Handle Travel:	+/- 60°		
Pin Position:	1	2	3
Cable Stroke: ¹	2.03 in [51 mm]	2.56 in [65 mm]	3.09 in [79 mm]
Max Output Force: ²			
• Short handle:	119 lbf [529 N]	94 lbf [418 N]	78 lbf [347 N]
• Long handle:	142 lbf [632 N]	112 lbf [498 N]	93 lbf [414 N]
Lever Ratio:			
• Short handle:	4.1:1	3.2:1	2.7:1
• Long Handle:	4.9:1	3.9:1	3.2:1
Ambient Temperature:	-40°F...+140°F [-40 °C... + 60 °C]		
Weight:	3.6 lbs	[1.6 kg]	

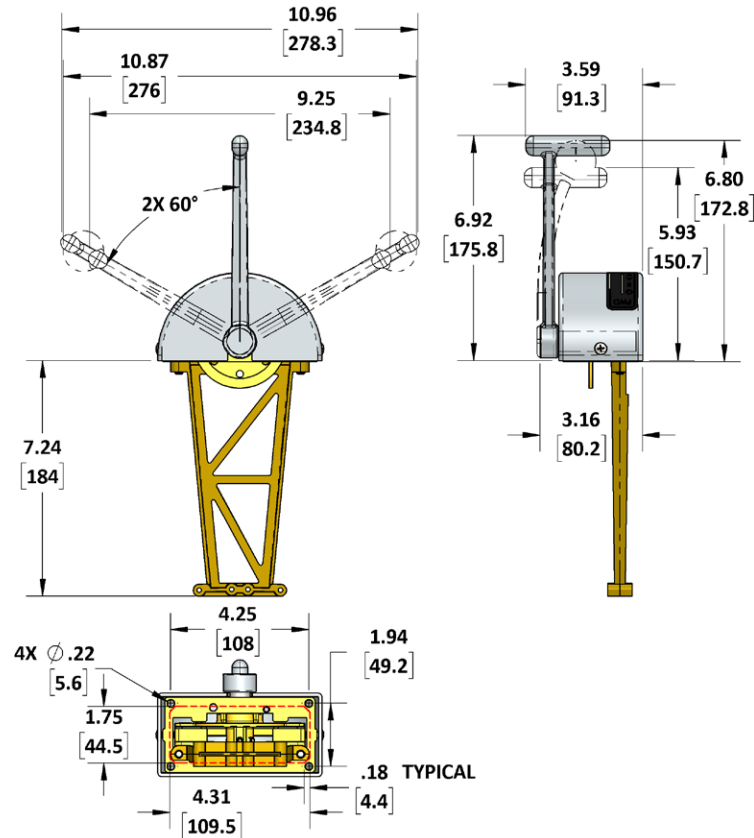
Key Features

- Selectable stroke (3 positions) up to 3 inches
- Adjustable stops
- Suitable for 30 & 40 series cable
- Configurable design to suit requirements
- Bronze & stainless steel construction

¹ Stroke from TDC is half of value shown.

² Estimated maximum output force based on an input force of 29 lbf applied to the handle. Output force must not exceed rated cable force.

SPECIFICATIONS



Model Code Key

2003-□□ (list in alphabetical order)

Safety Options

- H¹ = Neutral safety switch
- Blank = No safety option

Finish Options

- K = chrome plated
- L = polished brass
- M = black painted dome & chrome plated handles

Handle Options

- N = Long Tee with detent
- NN = Long Tee with detent and friction
- O = Long Tee with friction
- P = Short Tee with detent
- PP = Short Tee with detent and friction
- R = Short Tee with friction
- U² = Curved with plastic knob
- V² = Tee with plastic grip

Popular Configurations

- 2003-KN
- 2003-KNN

Accessories

- 2009-0901³ Connector kit, 30 series cable
- 2009-0902³ Connector kit, 40 series cable
- 2009-0903 Switch kit, neutral safety

NOTES:

1. Neutral safety switch must have a detented handle.
2. Red knob/grip (throttle/friction), Black knob/grip (clutch/detented).
3. Cable kits must be ordered separately.