

MODEL 3265 HIGH PRESSURE REGULATOR

The prime purpose of this high pressure regulator valve is to reduce high pressure air (up to 600 psi) to a lower value.

The 3265 High Pressure Regulator is made in die-cast bronze with stainless steel hardware. The reaction spring is made of carbon steel but is also available, upon special request, in stainless steel.

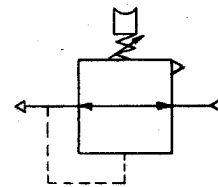
This valve is an excellent primary reducer for shipboard application for all control circuitry such as marine engines, which controls, air horns, ballast tank control, etc. It is recommended that a buffer tank be installed after this valve in order to provide a more balanced source of air supply. The free flow capacity is 800 SCFM @ 100 psi. This valve is of a self-relieving type with exhaust port of 1/4" NPT and inline mount with 1/4" NPT gauge ports.

The forerunner of this valve was our Model 3264 which was made in sand-cast bronze. This new valve, however, has removable flanges on the 1" NPT pipe ports which makes removal of the regulator in inline installations very easy.

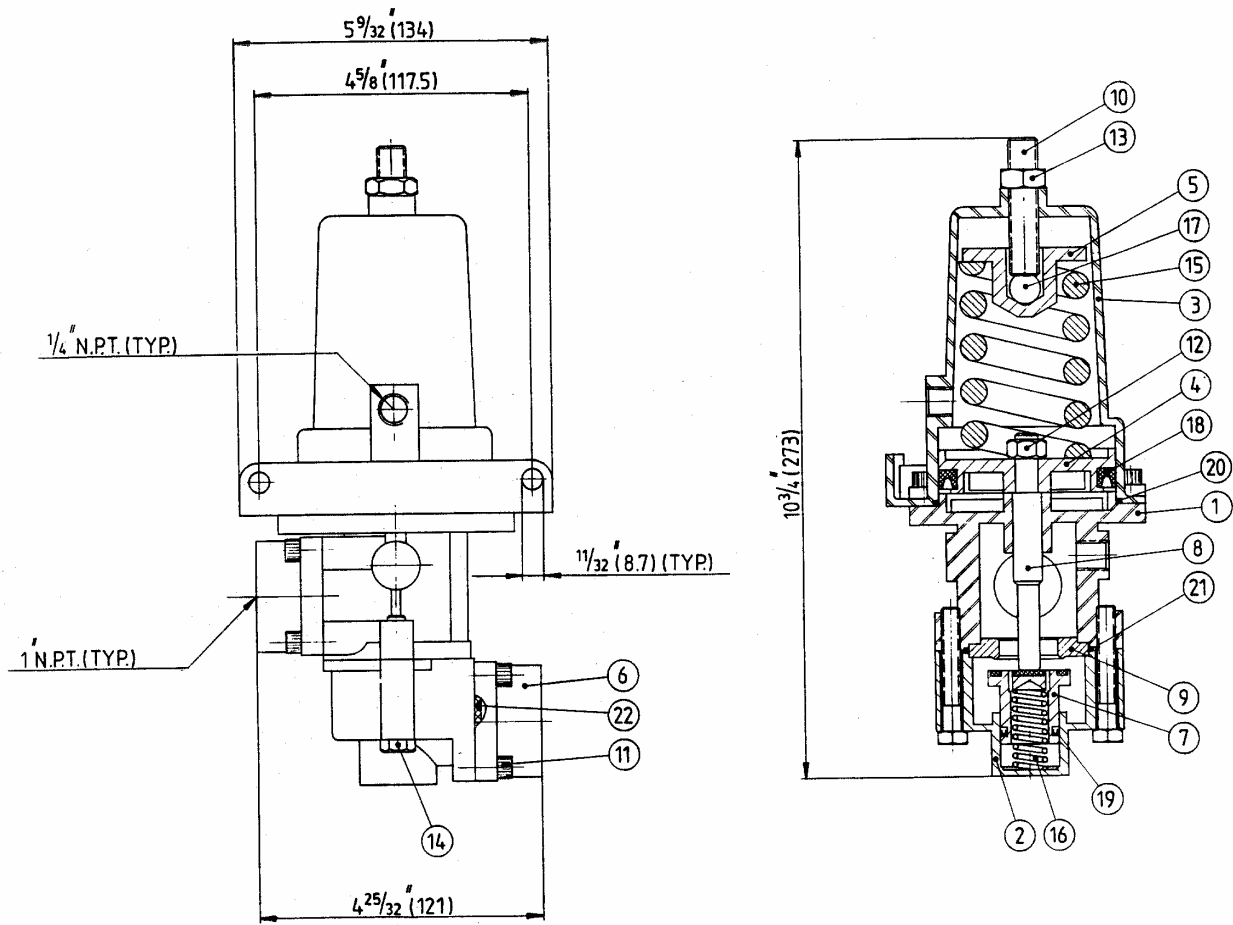
Specifications

Weight: 11 lbs. (5 kg)
Material: Bronze and stainless steel hardware
Operating Temperature: -40°C to +90°C
Maximum Supply Pressure: 600 psi (41 bar)
Maximum Output Pressure: 300 psi (21 bar)
Pipe Port Size: 1" NPT

SCHEMATIC SYMBOL



DIMENSIONS AND PARTS LIST MODEL 3265



All Dimensions in inches (mm)

Item	Qty	Part Number	Description	Item	Qty	Part Number	Description
1	1	3265-0001	Main body	12	1	1022-0112	Nut
2	1	3265-0002	Lower body	13	1	1022-0214	Jam nut
3	1	3265-0003	Spring housing	14	2	1001-1132	Hex head screw
4	1	3265-0004	Piston	15	1	1201-0191	Spring
5	1	3265-0005	Ball retainer	16	1	1201-0083	Spring
6	2	3265-0006	Extension port	17	1	1301-0124	Ball retainer
7	1	3265-0007	Poppet	18	1	1102-0035	"U" Cup
8	1	3265-0008	Stem	19	1	1102-0007	"U" Cup
9	1	3264-0010	Seat	20	1	1101-0151	"O" Ring
10	1	1016-1440	Setscrew	21	1	1101-0136	"O" Ring
11	16	1002-1010	Socket head screw	22	2	1101-0222	"O" Ring