



SAFETY AND BYPASS VALVE

MODEL 600-400, 600-401, 600-402 & 600-403

This product is a replacement for Kobelt Model 7020 Safety and Bypass Valve. (See next page table)

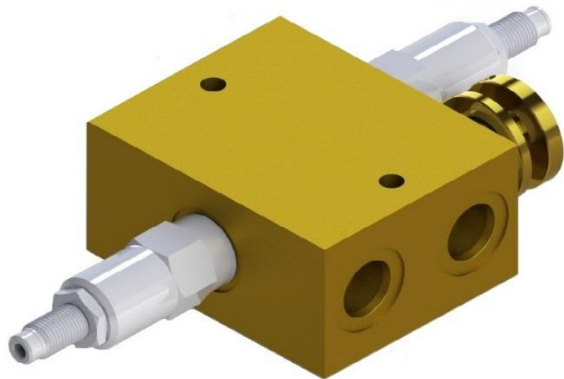
The *safety and by-pass valve* protects the steering system from over pressurising. This valve also incorporate a by-pass function which is very useful for bleeding the system.

This valve is recommended to be installed close to the hydraulic actuator.

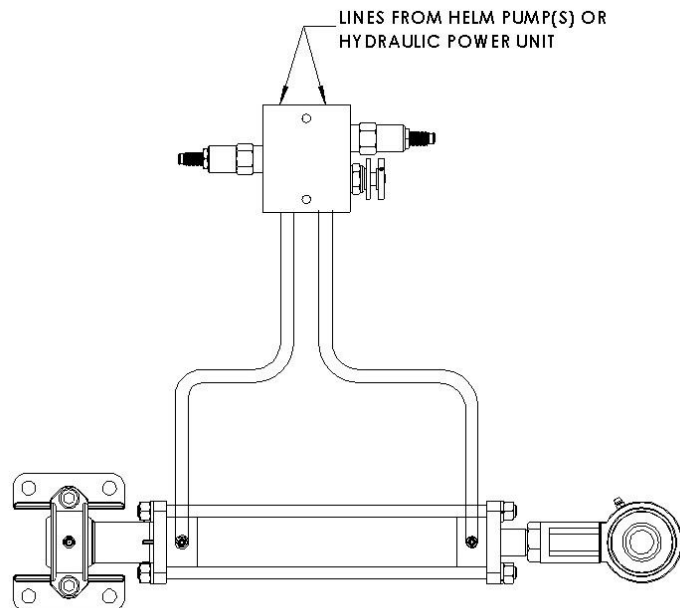
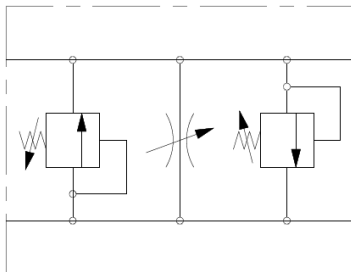
Both relief cartridges should be set at 1.25 times the hydraulic working pressure. All valves can be set at factory per customer request. If it is not specified at the time of ordering it will be set at 1,500 psi.

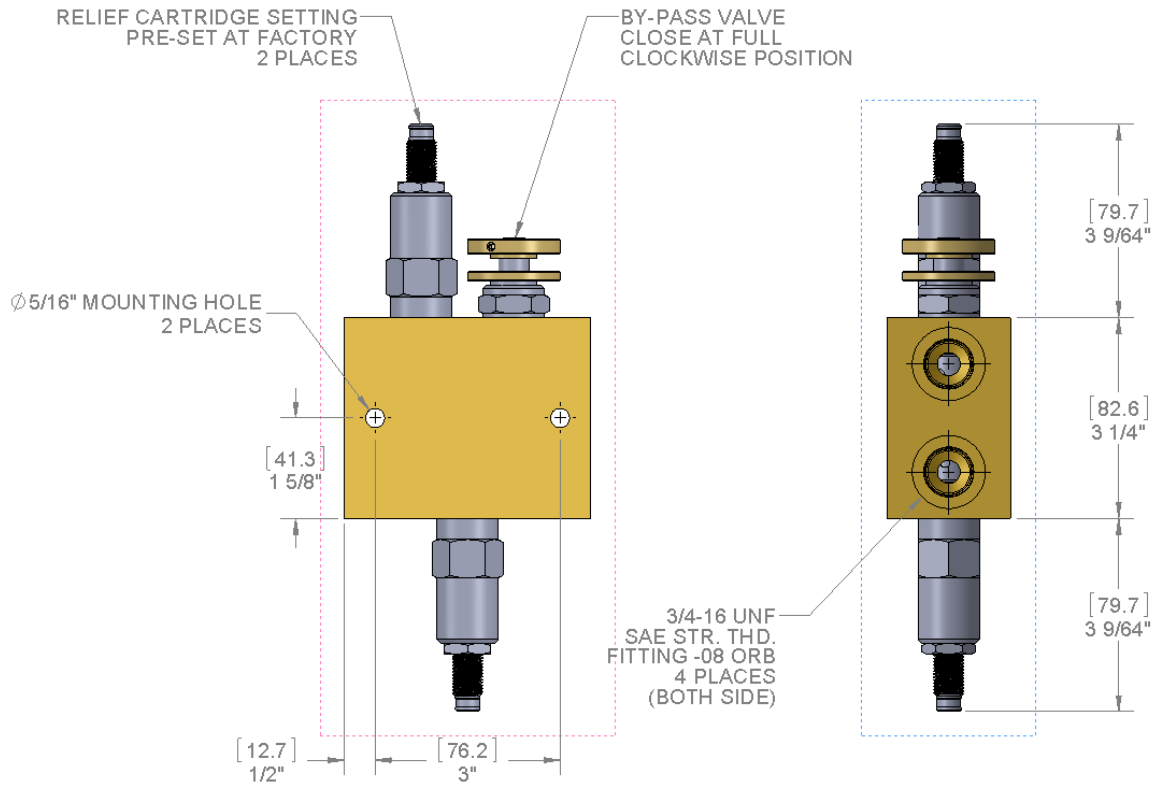
Pressure range: 750-3000 psi

Port Size: 3/4-16 ORB (-08) Straight Thread



Model Number	Flow Capacity (GPM)	Manifold Material	Weight (lbs)
600-400	8	Aluminum	3.3
600-401	30		
600-402	8	Steel	7.4
600-403	30		





	600 Series	7020
Port Size	3/4-16 UNF 08 SAE ORB	7/8-14 UNF 10 SAE ORB
Port Distance	1.75 "	2.00 "

If using as a replacement for Kobelt 7020, ensure you have the right fittings.