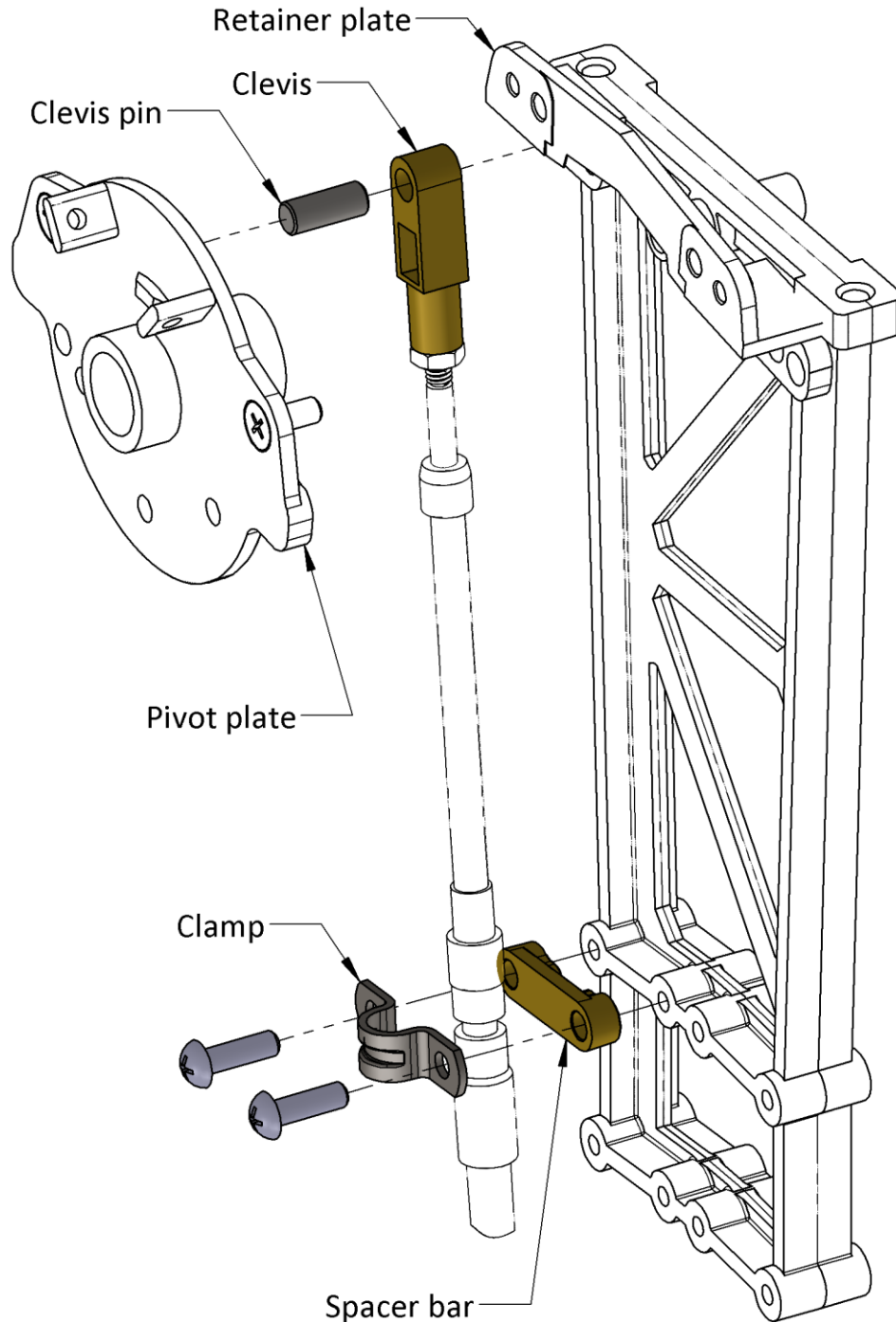
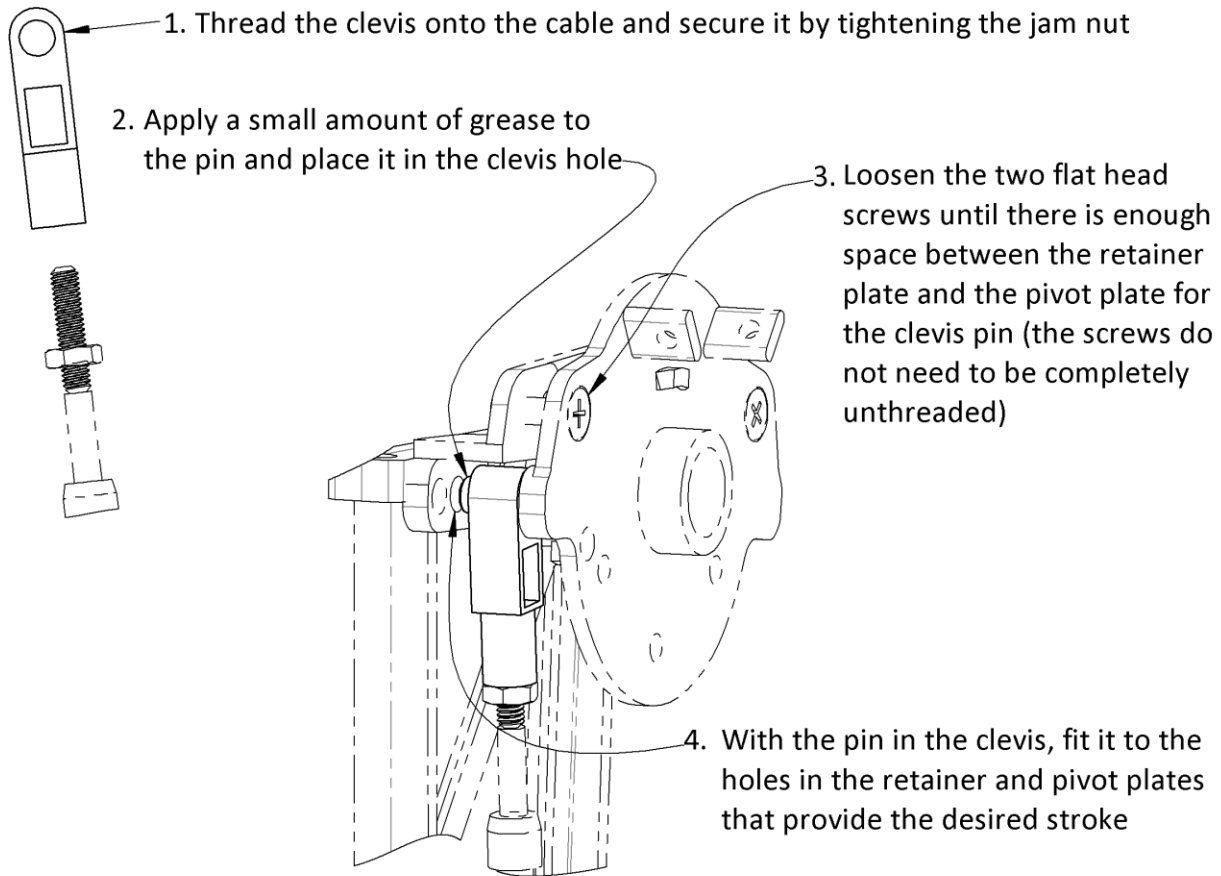


## Quick Start Guide: Cable Connection Kit

This document guides the user on how to install Kobelt's cable connection kits. The image below gives a general overview of the installation and parts (parts shown in colour are what would typically be included in a kit). Detailed step-by-step instructions can be found on the next page. If your kit does not include a clevis and clevis pin, then only step 6 is relevant to your kit.





5. Tighten the two flat head screws that were loosened earlier

6. Install the spacer bar and clamp as shown below

